

MICROSAFE®

# Surgical Draping Systems

Premium quality. Efficiency. Variety.

## PRODUCT CATALOG



ITALIAN COMPANY



setto

FOR HEALTHCARE PROFESSIONALS

[www.setto.it](http://www.setto.it)

## Safety for You and Your Patients

SETTO SRL, founded in 2024 in Milan, Italy, has a background that started in 2011 with manufacturing in Turkey. We specialize in the laminating and converting process, focusing on the development of innovative and user-friendly products that enhance the efficiency and safety of surgical procedures.

With a proven track record of over 23 million drapes and 4 million packs produced, our commitment to quality is evident. In the fast-paced environment of the operating theatre, every minute counts. That's why we offer a comprehensive range of MICROSAFE® complete draping systems, single drapes in various materials, and protective clothing to facilitate surgery preparation. With MICROSAFE®, you have the flexibility to create customized surgical procedure packs tailored to your specific needs. As a technological market leader, we possess the professional competence and flexibility to quickly adapt to changing market demands. Our solutions combine exceptional quality with optimal comfort, and our experienced staff is always available to provide expert guidance. Your satisfaction is our ultimate goal.

We place utmost importance on maintaining and continuously improving all product and hygiene standards throughout the entire production process. Our commitment to compliance ensures your safety and the well-being of your patients. Lastly, sustainability is a core value that we embrace. All materials used by SETTO are 100% free of PVC, emollients, and heavy metals, as we actively contribute to a healthier and more environmentally friendly future.



## Universal Drapes

|                            |         |
|----------------------------|---------|
| Plain Drapes, Non-Adhesive | 12      |
| Aperture Drapes            | 14      |
| Epidural Drapes, Adhesive  | 15 – 16 |
| Adhesive Drapes            | 16 – 18 |
| Split Sheets               | 19 – 20 |
| Mayo Stand Covers          | 21      |
| Back Table Covers          | 21      |

## General Surgery

|                    |         |
|--------------------|---------|
| Universal Packs    | 24 – 25 |
| MIS Drapes         | 26      |
| Rectum Drapes/Pack | 27      |
| Strumectomy Packs  | 28      |
| Split Sheet Packs  | 29      |

## Cardio/Thoracic, Vascular Surgery

|                        |         |
|------------------------|---------|
| Cardio/Thoracic Drapes | 32      |
| Bypass Packs           | 33      |
| Hybrid Drapes          | 34      |
| Supplementary Products | 35      |
| Angiography Drapes     | 36 – 37 |

## Orthopaedics/Traumatology

|                                 |         |
|---------------------------------|---------|
| Split Sheet Pack                | 40      |
| Extremity Drapes                | 41      |
| Extremity Packs                 | 42      |
| Arthroscopy Drapes              | 43      |
| Arthroscopy Packs               | 44 – 45 |
| Shoulder Drape                  | 46      |
| Hand Surgery Drapes             | 47      |
| Hand/Foot Pack/Drapes           | 48      |
| Hip Pack/Drape                  | 49      |
| Vertical Isolation Drapes/Packs | 50      |
| Supplementary Products          | 51 – 53 |

## Urology

|                            |         |
|----------------------------|---------|
| Urology Drapes             | 56 – 57 |
| Urology Packs              | 58      |
| Split Sheets/DaVinci Drape | 59      |
| Small Drapes/Packs         | 60      |
| Supplementary Products     | 61      |

## Gynaecology

|                         |         |
|-------------------------|---------|
| GYN Drape/Pack          | 64      |
| Pfannenstiel Drape/Pack | 65      |
| C-Section Drapes/Pack   | 66 – 67 |
| GYN/LAP Drapes          | 68      |
| Small Drapes            | 68 – 69 |

## Neurosurgery/ENT/OMS/Eyes

|                        |         |
|------------------------|---------|
| Neurosurgery Drapes    | 72      |
| Laminectomy Drapes     | 73      |
| Turban Drape           | 74      |
| ENT Drapes             | 74      |
| Eye Drapes             | 75 – 76 |
| Supplementary Products | 77      |

## Paediatrics

|                         |         |
|-------------------------|---------|
| Paediatrics Drapes/Pack | 80 – 81 |
|-------------------------|---------|

## Day Surgery

|                                      |         |
|--------------------------------------|---------|
| General Surgery                      | 84 – 85 |
| Traumatology and Orthopaedic Surgery | 86 – 88 |
| Aperture Drapes/Packs                | 89      |
| Gynaecology/Urology                  | 90 – 91 |
| Plain Drapes                         | 92      |
| Adhesive Drapes                      | 92      |
| Aperture Drapes                      | 93      |

|  |    |
|--|----|
| Supplementary Products                   | 94 |
| Variable Aperture Drapes/Spit Sheet Pack | 95 |

## Supplementary Products

|                                     |           |
|-------------------------------------|-----------|
| Fluid Collection/Diathermy Pouches  | 98        |
| Velcro Strip/OR Tapes/Incision Film | 99        |
| Foot Covers/Stockinettes/Leggings   | 100       |
| Camera-/Image Intensifier Covers    | 101       |
| Equipment Covers                    | 102 – 103 |
| Accessory                           | 104 – 105 |

## OR Gowns

|                              |           |
|------------------------------|-----------|
| OR Gowns Standard/Reinforced | 108 – 111 |
|------------------------------|-----------|

## Protection Products (Non-sterile)

|   |     |
|---|-----|
| Scrub Suits/Non-Woven Jackets                     | 114 |
| Protection/Visitor Gown                           | 115 |
| Accessory   | 116 |
| Protection Sheets/Aprons/Examination Couch Covers | 117 |

## The Premium Quality Material

### Mediwell super strong - Symbiosis of comfort and functionality

#### The basic non-woven

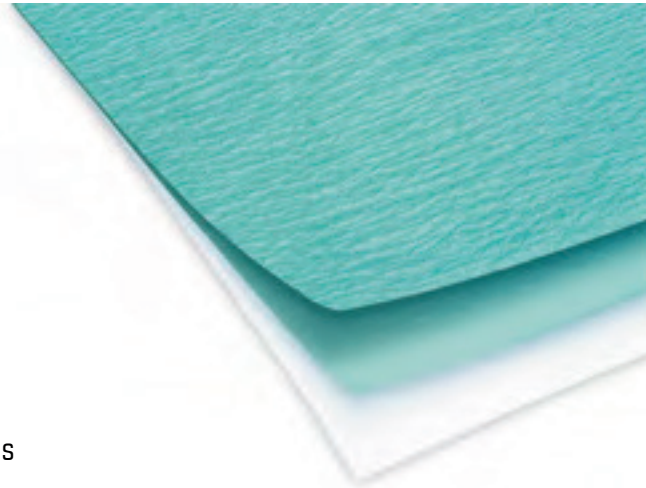
- ✓ Pleasantly soft and extremely absorbent
- ✓ The typical orange skin structure binds fluids of over 6 times own weight

#### The protective film

- ✓ Perfect barrier against microbes
- ✓ Super soft and absolutely impermeable to fluids
- ✓ The patient remains dry and is safely protected from infections
- ✓ The film is extremely lightweight and nevertheless highly tear resistant

#### The patient layer

- ✓ The non-woven is especially soft and durable
- ✓ Thanks to the lamination technology with the tiny air cushions it lies even more pleasantly on the skin and provides maximum patient comfort



## Custom Procedure Trays (CPT)

### Custom-made solutions for your surgical application

Since more than 12 years MICROSAFE® systems from Sengewald combine individuality and standardisation in the OR: 4 million customer-specific packs leave our production facilities per year in more than 2,000 different configurations. We are happy to support you from the initial consultation up to the adoption of your individual pack in the daily routine in the operating theatre. Alternatively packs can also be selected or modified from our catalogue. Thereby, every component contained in the tray can be tracked back – through this flexibility meets premium quality and absolute material safety.

#### Our effort – your profit:

- ✓ Competent support in defining the pack contents
- ✓ Indication related and individual composition
- ✓ Process standardisation
- ✓ Increase of efficiency in the OR
- ✓ Absolute cost transparency
- ✓ Less storage space requirement
- ✓ Minimisation of waste





- Our products fulfil the highest requirements:
- ✓ High tensile strength
  - ✓ High absorption capacity
  - ✓ Impervious to bacteria and fluids
  - ✓ PP non-woven for maximum patient comfort
  - ✓ Latex-free

All multiple and single layer materials are also available in packs that can be completely individually compiled according to your requirements. So you are best prepared for complex interventions. Our products thereby exceed all the requirements of EN 13795 and bear the CE label according to EC directive 93/42 EEC medical devices.

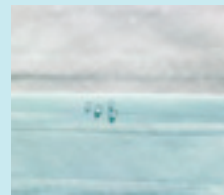
## Multiple Layer

## Single-Ply

### Mediwell

2 or 3-ply material combination; absorbent and impervious to bacteria and fluids, HP.

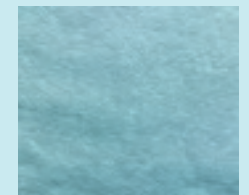
**Uses:** as back table covers or a sterile field, patient drapes for minor procedures with low fluid incidence, as a bottom drape.



### Mediwell soft

Soft non-woven material, particularly similar to textiles; low-linting, alcohol and fluid-repellent, breathable, very comfortable to wear, SP.

**Uses:** as a patient drape for ophthalmic surgery, scrub suits, jackets and OR gowns.



### Mediwell super

2 or 3-ply material combination; extremely high absorbent capacity, impervious to bacteria and fluids, HP.

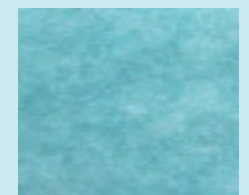
**Uses:** as back table covers, patient drapes for medium to major procedures, as a bottom drape.



### Mediwell light

Light SMMMS non-woven; alcohol and fluid-repellent, breathable, comfortable to wear, SP.

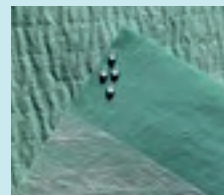
**Uses:** as a patient drape for ophthalmic surgery, OR gowns.



### Mediwell super strong

3-ply material combination; extremely high absorbent capacity and highly tear resistant, impervious to bacteria and fluids, HP.

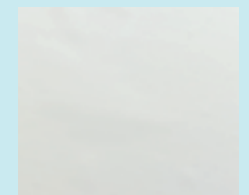
**Uses:** as patient drapes for medium to major procedures with high fluid incidence.



### Filmdrape

Contact transparency, micro-embossed, very drapeable PE film; impervious to bacteria and fluids, HP.

**Uses:** as a patient drape for minor and medium procedures in anaesthesia and ophthalmology.



### Mediwell absorb

2-ply material combination; as a reinforcement non-woven with high absorptive capacity, very great wet rub-resistance, impervious to bacteria and fluids, HP.

**Uses:** as a reinforcement for angiography drapes and mayo stand covers as well as for custom drapes for procedures with a very high fluid incidence and/or subject to extremely great demands, also available as freely applicable adhesive drapes.



### Colordrape

Very drapeable PE coex film, impervious to bacteria and fluids, turquoise-coloured, HP.

**Uses:** special applications as patient drapes or as reinforcement in high-performance OR gowns.



### aquamarine

2 or 3-ply material combination; very absorbent and exceedingly tear resistant, impervious to bacteria and fluids, HP.

**Uses:** as back table covers, patient drapes for all procedures.



HP: fulfils the requirements of EN 13795 for High Performance  
 SP: fulfils the requirements of EN 13795 for Standard Performance

# Universal Drapes



Regardless of which intervention you undertake: Our extensive range of universal drapes and back table cover guarantee you maximum flexibility and optimum hygiene. We offer precisely the right solution for every area of application – also custom-made according to your individual requirement.

Our portfolio comprises various models for secure and reliable draping of the patient and the surrounding area in surgical procedures. From standard drapes for day surgeries up to drapes for surgical interventions with large amounts of fluids and highest requirements.



# Universal Drapes

## Plain Drapes

| Mediwell 2-ply | Qty. dispenser or inliner/PU | Size/cm   | Ref. no.             |
|----------------|------------------------------|-----------|----------------------|
|                | 120 / 720                    | 37,5 x 45 | 503842               |
|                | 70 / 420                     | 45 x 75   | 504572               |
|                | 45 / 270                     | 75 x 90   | 507592               |
|                | 25 / 75                      | 100 x 150 | 509215               |
| Mediwell 3-ply |                              |           |                      |
|                | <del>65 / 390</del>          | 45 x 75   | 504575 X delete      |
|                | 35 / 210                     | 75 x 90   | 507590               |
|                | <del>20 / 60</del>           | 100 x 150 | 509015 X delete      |
|                | 15 / 45                      | 150 x 180 | 501518-9 non-sterile |
|                | 10 / 30                      | 150 x 240 | 501524               |

| Mediwell super 2-ply | Qty. dispenser or inliner/PU | Size/cm   | Ref. no. |
|----------------------|------------------------------|-----------|----------|
|                      | 60 / 360                     | 45 x 75   | 508825   |
|                      | 40 / 240                     | 75 x 90   | 508824   |
|                      | 30 / 180                     | 100 x 100 | 508858   |
|                      | 20 / 60                      | 100 x 150 | 508823   |
|                      | 15 / 45                      | 150 x 180 | 508821   |
|                      | Pack component               | 175 x 200 | 508878-9 |
|                      | Pack component               | 200 x 280 | 508827-9 |

| Mediwell super 3-ply | Qty. dispenser or inliner/PU | Size/cm | Ref. no.        |
|----------------------|------------------------------|---------|-----------------|
|                      | <del>30 / 360</del>          | 45 x 75 | 508805 X delete |
|                      | 30 / 180                     | 75 x 90 | 508804          |

| Mediwell super strong 3-ply | Qty. dispenser or inliner/PU | Size/cm   | Ref. no. |
|-----------------------------|------------------------------|-----------|----------|
|                             | 20 / 60                      | 100 x 150 | 508803   |
|                             | 11 / 33                      | 150 x 180 | 508801   |
|                             | Pack component               | 150 x 200 | 508857-9 |
|                             | 10 / 30                      | 150 x 240 | 508802   |

| aquamarine 3-ply | Qty. dispenser or inliner/PU | Size/cm   | Ref. no.             |
|------------------|------------------------------|-----------|----------------------|
|                  | <del>8 / 24</del>            | 200 x 200 | 808879 X delete      |
| aquamarine 2-ply |                              |           |                      |
|                  | 27 / 81                      | 100 x 150 | 808823               |
|                  | 18 / 54                      | 150 x 140 | 808844-9 non-sterile |
|                  | 16 / 48                      | 150 x 180 | 808821               |
|                  | 14 / 42                      | 150 x 200 | 808869               |
|                  | 12 / 36                      | 150 x 220 | 808816-9 non-sterile |
|                  | 10 / 30                      | 150 x 250 | 808819-9 non-sterile |

| Filmdrape | Qty. dispenser or inliner/PU | Size/cm   | Ref. no. |
|-----------|------------------------------|-----------|----------|
|           | Pack component               | 150 x 200 | 506620-9 |

| Mediwell soft Baby Sheet | Qty. dispenser or inliner/PU | Size/cm   | Ref. no. |
|--------------------------|------------------------------|-----------|----------|
|                          | Pack component               | 90 x 86   | 585758-9 |
|                          | 30 / 104                     | 100 x 150 | 585764   |
|                          | Pack component               | 120 x 120 | 585761-9 |
|                          | Pack component               | 150 x 130 | 505712-9 |



## Aperture Drapes

| Mediwell 2-ply                      | Qty. dispenser or inliner/PU | Size/cm | Ref. no.      |
|-------------------------------------|------------------------------|---------|---------------|
| Aperture Ø 6 cm, central            | 70 / 420                     | 45 x 75 | 514572        |
| Aperture Ø 6 cm, central            | 45 / 270                     | 75 x 90 | 517592        |
| <b>Mediwell 3-ply</b>               |                              |         |               |
| Aperture Ø 6 cm, central            | 50 / 300                     | 45 x 75 | 514575        |
| <del>Aperture Ø 6 cm, central</del> | 30 / 180                     | 75 x 90 | 517590 delete |
| <b>Mediwell super 2-ply</b>         |                              |         |               |
| Aperture Ø 6 cm, central            | 70 / 420                     | 45 x 75 | 518821        |
| Aperture Ø 6 cm, central            | 45 / 270                     | 75 x 90 | 518822        |

## Aperture Drapes, Adhesive

| Mediwell 2-ply                     | Qty. dispenser or inliner/PU | Size/cm   | Ref. no.                          |
|------------------------------------|------------------------------|-----------|-----------------------------------|
| Aperture oval, 5 x 7.5 cm, central | 65 / 390                     | 50 x 60   | 555064                            |
| <b>Mediwell super 2-ply</b>        |                              |           |                                   |
| Aperture Ø 6 cm, central           | 70 / 420                     | 50 x 60   | 558823                            |
| Aperture Ø 6 cm, central           | 45 / 270                     | 75 x 75   | 558971                            |
| Aperture oval, 8 x 6 cm, central   | 40 / 240                     | 75 x 90   | 558972                            |
| Aperture oval, 7 x 10 cm, central  | 25 / 75                      | 100 x 150 | 558974                            |
| <b>Mediwell super strong 3-ply</b> |                              |           |                                   |
| Aperture 15 x 15 cm, central       | 18 / 54                      | 120 x 150 | 559075                            |
| Aperture 7.5 x 5 cm, decentral     | 15 / 45                      | 120 x 150 | 558801 not in the print catalogue |
| Adhesive aperture Ø 13 cm, central | 12 / 24                      | 200 x 240 | 559175 not in the print catalogue |
| <b>Filmdrape</b>                   |                              |           |                                   |
| Aperture Ø 6 cm, central           | 50 / 150                     | 75 x 130  | 556655 S-special production       |

## Variable Aperture Drapes, Adhesive, 2-Part

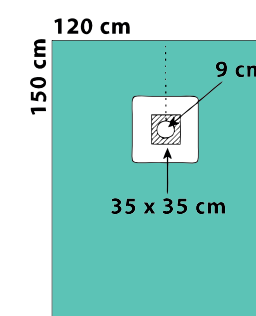
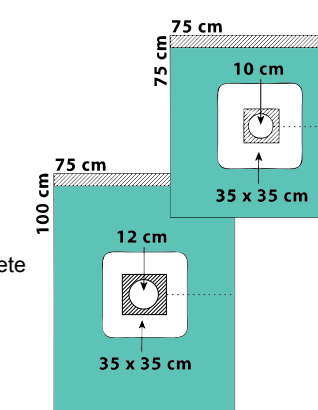
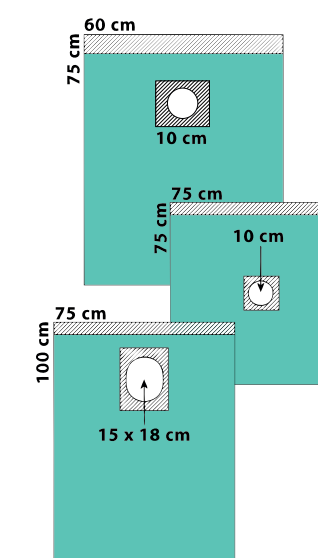
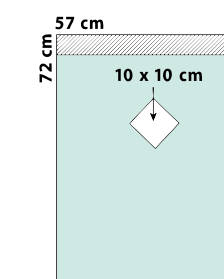
| Mediwell super 2-ply     | Qty. dispenser or inliner/PU | Size/cm | Ref. no. |
|--------------------------|------------------------------|---------|----------|
| Aperture max. 12 x 21 cm | 50 / 300                     | 50 x 75 | 554575   |
| Aperture max. 12 x 21 cm | 35 / 210                     | 75 x 90 | 558948   |
| Aperture max. 18 x 28 cm | 30 / 180                     | 75 x 90 | 558964   |

## Epidural Drapes

| Mediwell 2-ply   | Qty. dispenser or inliner/PU | Size/cm  | Ref. no. |
|--|------------------------------|----------|----------|
| Aperture ◇ 10 x 10 cm, decentral, with adhesive zone 6 x 57 cm                 | 50 / 300                     | 57 x 72  | 555772   |
| <b>Mediwell super 2-ply</b>  |                              |          |          |
| Aperture Ø 10 cm, decentral, with adhesive zone 6 x 60 cm                      | Pack component               | 60 x 75  | 558838-9 |
| Aperture Ø 10 cm, decentral, adhesive, with adhesive zone 6 x 60 cm            | 40 / 240                     | 60 x 75  | 558839   |
| Aperture Ø 10 cm, central, adhesive, with adhesive zone 6 x 75 cm              | 30 / 180                     | 75 x 75  | 558989   |
| Aperture oval, 15 x 18 cm, decentral, adhesive, with adhesive zone 5.5 x 75 cm | 20 / 60                      | 75 x 100 | 558991   |

| Mediwell super with transparent film fenestration and perforation                             | Qty. dispenser or inliner/PU | Size/cm  | Ref. no.      |
|---|------------------------------|----------|---------------|
| Film window 35 x 35 cm, central, 10 cm central adhesive aperture, and adhesive zone 6 x 75 cm | 45 / 135                     | 75 x 75  | 558846        |
| Film window 35 x 35 cm, central, 12 cm central adhesive aperture, and adhesive zone 6 x 75 cm | 45 / 135                     | 75 x 75  | 558848 delete |
| Film window 35 x 35 cm, central, 10 cm central adhesive aperture, and adhesive zone 6 x 75 cm | 35 / 105                     | 75 x 100 | 558847        |
| Film window 35 x 35 cm, central, 12 cm central adhesive aperture, and adhesive zone 6 x 75 cm | 35 / 105                     | 75 x 100 | 558849        |

| Mediwell super CVC drape  | Qty. dispenser or inliner/PU | Size/cm   | Ref. no. |
|---|------------------------------|-----------|----------|
| Film window 35 x 35 cm, decentral, 9 cm central adhesive aperture | 12 / 36                      | 120 x 150 | 558975   |





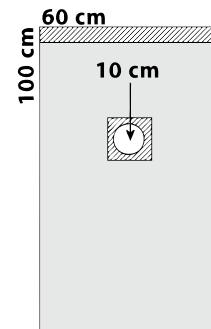
# Universal Drapes

## Epidural Drapes

### Filmdrape

Aperture Ø 10 cm, decentral, adhesive, with adhesive zone 6 x 60 cm

| Qty. dispenser or inliner/PU | Size/cm  | Ref. no. |
|------------------------------|----------|----------|
| 50 / 150                     | 60 x 100 | 556654   |



## Adhesive Drapes

### Mediwell super 2-ply

| Adhesive zone           | Qty. dispenser or inliner/PU | Size/cm*        | Ref. no. |
|-------------------------|------------------------------|-----------------|----------|
| Adhesive zone 5 x 50 cm | 70 / 420                     | 50 x 50         | 538822   |
| Adhesive zone 5 x 75 cm | 65 / 390                     | 50 x 75         | 538829   |
| Adhesive zone 5 x 75 cm | 45 / 270                     | 75 x 75         | 538821   |
| Adhesive zone 5 x 90 cm | 40 / 240                     | 75 x 90         | 538823   |
| Adhesive zone 5 x 90 cm | Pack component               | <u>90</u> x 150 | 538834-9 |

### Mediwell super 3-ply

|                         |                     |         |                            |
|-------------------------|---------------------|---------|----------------------------|
| Adhesive zone 5 x 50 cm | 80 / 480            | 50 x 50 | 538802                     |
| Adhesive zone 5 x 75 cm | <del>50 / 300</del> | 50 x 75 | 538809 <del>X delete</del> |
| Adhesive zone 5 x 75 cm | 35 / 210            | 75 x 75 | 538801                     |
| Adhesive zone 5 x 90 cm | 30 / 180            | 75 x 90 | 538803                     |

### Mediwell super strong 3-ply

| Adhesive zone                                     | Qty. dispenser or inliner/PU | Size/cm*         | Ref. no. |
|---|------------------------------|------------------|----------|
| Adhesive zone 5 x 100 cm                          | 30 / 90                      | 75 x 100         | 538811   |
| Adhesive zone 5 x 100 cm                          | 20 / 60                      | 100 x 100        | 538813   |
| Adhesive zone 5 x 100 cm                          | 22 / 66                      | 150 x <u>100</u> | 538886   |
| Adhesive zone 5 x 80 cm                           | 10 / 30                      | 150 x <u>180</u> | 538805   |
| Adhesive zone 5 x 80 cm                           | 10 / 30                      | 150 x <u>240</u> | 538807   |
| Adhesive zone 5 x 80 cm                           | 9 / 27                       | 175 x <u>180</u> | 538806   |
| Adhesive zone 5 x 240 cm, 3-part 69 / 102 / 69 cm | 5 / 20                       | 175 x <u>240</u> | 538898   |
| Adhesive zone 5 x 120 cm                          | 5 / 15                       | 175 x <u>300</u> | 538808   |
| Adhesive zone 5 x 80 cm                           | 8 / 24                       | 200 x <u>180</u> | 538810   |

\* Underlined numbers mark the adhesive side

## Adhesive Drapes

### Mediwell absorb 2-ply

| Adhesive zone                                      | Qty. dispenser or inliner/PU | Size/cm*       | Ref. no. |
|--|------------------------------|----------------|----------|
| Adhesive drape absorbent, adhesive zone 5 x 75 cm  | 30 / 180                     | 50 x 75        | 538889   |
| Adhesive drape absorbent, adhesive zone 5 x 50 cm  | 40 / 240                     | 75 x <u>50</u> | 538887   |
| Adhesive drape absorbent, adhesive zone 16 x 90 cm | 35 / 105                     | 75 x 90        | 538888   |

### aquamarine 2-ply

|                         |                     |                            |                   |
|-------------------------|---------------------|----------------------------|-------------------|
| Adhesive zone 5 x 90 cm | <del>25 / 150</del> | <del>100 x <u>90</u></del> | <del>838835</del> |
|-------------------------|---------------------|----------------------------|-------------------|

### aquamarine 3-ply

|                          |                           |                             |                     |
|--------------------------|---------------------------|-----------------------------|---------------------|
| Adhesive zone 5 x 80 cm  | <del>10 / 30</del>        | <del>150 x <u>100</u></del> | <del>838803</del>   |
| Adhesive zone 5 x 80 cm  | <del>8 / 24</del>         | <del>150 x <u>240</u></del> | <del>838807</del>   |
| Adhesive zone 5 x 80 cm  | <del>10 / 30</del>        | <del>175 x <u>180</u></del> | <del>838806</del>   |
| Adhesive zone 5 x 120 cm | <del>Pack component</del> | <del>175 x <u>200</u></del> | <del>838808-9</del> |
| Adhesive zone 5 x 120 cm | <del>Pack component</del> | <del>250 x <u>300</u></del> | <del>838809-9</del> |

# Universal Drapes

## Adhesive Drapes with Special Adhesive for Sensitive Skin

| Mediwell super 3-ply      | Qty. dispenser or inliner/PU | Size/cm        | Ref. no. |
|---------------------------|------------------------------|----------------|----------|
| Adhesive zone 2.5 x 50 cm | Pack component               | 75 x <u>50</u> | 538912-9 |

| Mediwell super strong 3-ply with 2.5 cm adhesive zone | Qty. dispenser or inliner/PU | Size/cm*         | Ref. no. |
|---|------------------------------|------------------|----------|
| Adhesive zone 2.5 x 100 cm                            | 40 / 120                     | 75 x <u>100</u>  | 538914   |
| Adhesive zone 2.5 x 80 cm                             | Pack component               | 175 x <u>180</u> | 538916-9 |
| Adhesive zone 2.5 x 80 cm                             | Pack component               | 150 x <u>240</u> | 538917-9 |

| Mediwell super strong 3-ply with 5 cm adhesive zone | Qty. dispenser or inliner/PU | Size/cm*         | Ref. no.      |
|---|------------------------------|------------------|---------------|
| Adhesive zone 5 x 100 cm                            | Pack component               | 75 x <u>100</u>  | 538915-9      |
| <del>Adhesive zone 5 x 120 cm</del>                 | 40 / 120                     | 100 x <u>120</u> | 538944 delete |
| Adhesive zone 5 x 80 cm                             | Pack component               | 150 x <u>240</u> | 538918-9      |
| Adhesive zone 5 x 80 cm                             | Pack component               | 175 x <u>180</u> | 538943-9      |
| Adhesive zone 5 x 180 cm, 2-part 90 / 90            | Pack component               | 175 x <u>180</u> | 538920-9      |
| Adhesive zone 5 x 300 cm, 3-part 90 / 120 / 90      | Pack component               | 175 x <u>300</u> | 538942-9      |

## Split Sheets

| Mediwell super 2-ply       | Qty. dispenser or inliner/PU | Size/cm | Ref. no.        |
|----------------------------|------------------------------|---------|-----------------|
| U-slit 7 x 40 cm, adhesive | 25 / 150                     | 75 x 90 | 528855          |
| U-slit 7 x 30 cm, adhesive | <del>20 / 180</del>          | 90 x 75 | 528866 X delete |

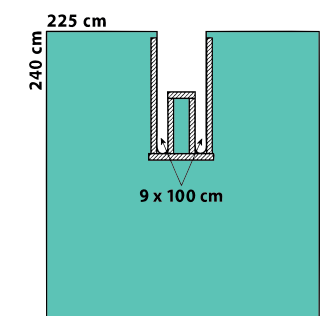
| Mediwell super strong 3-ply                                  | Qty. dispenser or inliner/PU | Size/cm*         | Ref. no. |
|--|------------------------------|------------------|----------|
| U-slit 7.5 x 45 cm, adhesive                                 | 15 / 45                      | 120 x <u>150</u> | 528801   |
| U-slit 7.5 x 65 cm, adhesive                                 | 10 / 30                      | 160 x <u>200</u> | 528802   |
| U-slit 7.5 x 65 cm, with special adhesive for sensitive skin | 7 / 14                       | <u>200</u> x 260 | 528815   |
| U-slit 7.5 x 100 cm, adhesive                                | 7 / 14                       | <u>200</u> x 260 | 528805   |
| U-slit 7.5 x 100 cm, adhesive, with perineal drape           | 8 / 16                       | <u>200</u> x 260 | 528806   |
| U-slit 7.5 x 100 cm, adhesive                                | 6 / 12                       | <u>225</u> x 320 | 528808   |

| Colordrape                   | Qty. dispenser or inliner/PU | Size/cm*         | Ref. no. |
|------------------------------|------------------------------|------------------|----------|
| U-slit 7.5 x 50 cm, adhesive | 18 / 54                      | <u>150</u> x 180 | 529901   |

| Filmdrape                    | Qty. dispenser or inliner/PU | Size/cm*         | Ref. no. |
|------------------------------|------------------------------|------------------|----------|
| U-slit 7.5 x 50 cm, adhesive | 25 / 75                      | 125 x <u>150</u> | 526601   |

## Split Sheet, Bilateral

| Mediwell super strong 3-ply        | Qty. dispenser or inliner/PU | Size/cm*         | Ref. no. |
|------------------------------------|------------------------------|------------------|----------|
| U-slit, dual 40 x 100 cm, adhesive | 15                           | <u>225</u> x 240 | 528869   |



\* Underlined numbers mark the adhesive side

\* Underlined numbers mark the side with the slit

# Universal Drapes

## Split Sheet with Film Strips

| <b>Mediwell super strong 3-ply</b>   | <b>Qty. dispenser or inliner/PU</b> | <b>Size/cm</b>   | <b>Ref. no.</b> |
|--|-------------------------------------|------------------|-----------------|
| U-slit, U=7.5 x 100 cm, special adhesive for sensitive skin, 2 film strips 70 x 340, transparent | Pack component                      | <u>240</u> x 340 | 528839-9        |

## Split Aperture Drape

| <b>Mediwell 2-ply</b>                | <b>Qty. dispenser or inliner/PU</b> | <b>Size/cm</b> | <b>Ref. no.</b> |
|--------------------------------------|-------------------------------------|----------------|-----------------|
| Aperture Ø 6 cm, central, slit 27 cm | Pack component                      | 60 x 60        | 520057-9        |

\* Underlined numbers mark the side with the slit

## Mayo Stand Covers, Back Table Covers

### Colordrape

| <b>Mayo stand covers made of PE film</b>  | <b>Qty. dispenser or inliner/PU</b> | <b>Size/cm</b> | <b>Ref. no.</b> |
|---|-------------------------------------|----------------|-----------------|
| "Standard", non-woven area 75 x 64 cm, turquoise  | 20 / 60                             | 80 x 145       | 547714          |
| "Special", 2-ply Mediwell super, reinforced area 75 x 64 cm   | 20 / 60                             | 80 x 145       | 547716          |
| "Super", 2-ply Mediwell absorb area, 75 x 74 cm, for heavy instruments, e.g. orthopaedic procedures, blue | 18 / 54                             | 80 x 145       | 547718          |

### aquamarine

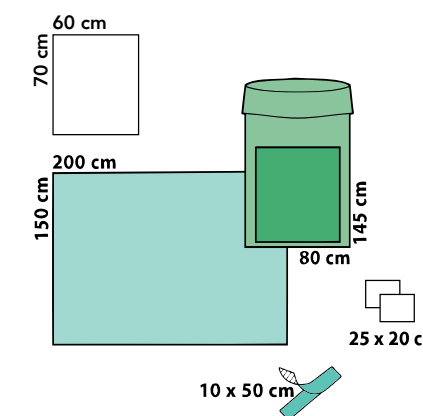
| <b>Back table covers/Plain drapes, 2-ply</b> | <b>Qty. dispenser or inliner/PU</b> | <b>Size/cm</b> | <b>Ref. no.</b>       |
|--|-------------------------------------|----------------|-----------------------|
|  | 27 / 81                             | 100 x 150      | 808823                |
|  | 18 / 54                             | 150 x 140      | 808844 -9 non-sterile |
|  | 16 / 48                             | 150 x 180      | 808821                |
|  | 14 / 42                             | 150 x 200      | 808869                |
|  | 12 / 36                             | 150 x 220      | 808816 -9 non-sterile |
|  | 10 / 30                             | 150 x 250      | 808819 -9 non-sterile |

### Basic Pack

PU: 36 packs

| <b>Cont. and sequence</b>        | <b>Size/cm</b> | <b>Qty.</b> | <b>Ref. no.</b> |
|----------------------------------|----------------|-------------|-----------------|
| Overwrap                         | 60 x 70        | 1           | 626870          |
| Plain drape – table cover (wrap) | 150 x 200      | 1           | 808869          |
| Mayo stand cover                 | 80 x 145       | 1           | 547714          |
| Hand towels                      | 25 x 20        | 2           | -/-             |
| OR tape, elastic                 | 10 x 50        | 1           | 591151          |

### 563743 S- special production



# General Surgery



Efficient and safe – from a basic surgical pack up to all-in-one drapes for minimally invasive procedures and complex positioning of the patient.

Our drapes offer high functionality, allow more efficient procedures and guarantee optimum protection of the patient.



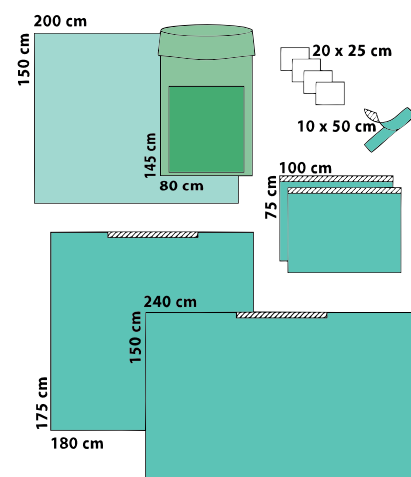


## Universal Packs

### Universal Pack, standard **561088**

PU: 7 packs

| Cont. and sequence               | Size/cm   | Qty. | Ref. no. |
|----------------------------------|-----------|------|----------|
| Plain drape – table cover (wrap) | 150 x 200 | 1    | 808869   |
| Mayo stand cover                 | 80 x 145  | 1    | 547714   |
| Hand towels                      | 25 x 20   | 4    | -/-      |
| OR tape                          | 10 x 50   | 1    | 591050   |
| Side drape                       | 75 x 100  | 2    | 538811   |
| Foot drape                       | 175 x 180 | 1    | 538806   |
| Head drape                       | 150 x 240 | 1    | 538807   |

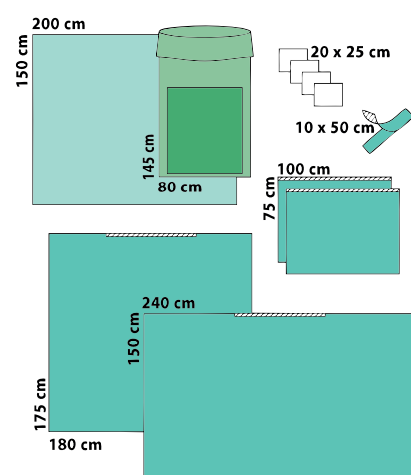


### Universal Pack, paediatrics **561007**

PU: 7 packs

| Cont. and sequence               | Size/cm   | Qty. | Ref. no. |
|----------------------------------|-----------|------|----------|
| Plain drape – table cover (wrap) | 150 x 200 | 1    | 808869   |
| Mayo stand cover                 | 80 x 145  | 1    | 547714   |
| Hand towels                      | 25 x 20   | 4    | -/-      |
| OR tape, elastic                 | 10 x 50   | 1    | 591151   |
| Side drape                       | 75 x 100  | 2    | 538914   |
| Foot drape                       | 175 x 180 | 1    | 538916   |
| Head drape                       | 150 x 240 | 1    | 538917   |

Particularity: with special adhesive and 2.5 cm narrow adhesive zones for children`s skin.

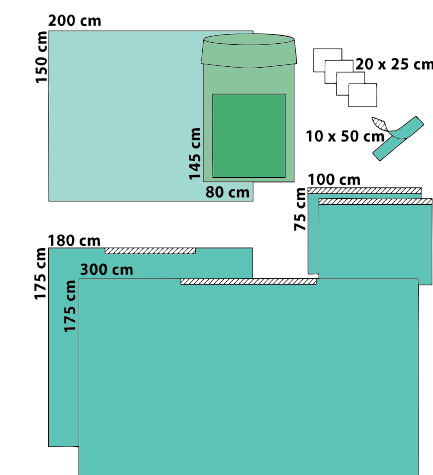


### Universal Pack, super **561009**

PU: 7 packs

| Cont. and sequence               | Size/cm   | Qty. | Ref. no. |
|----------------------------------|-----------|------|----------|
| Plain drape – table cover (wrap) | 150 x 200 | 1    | 808869   |
| Mayo stand cover                 | 80 x 145  | 1    | 547714   |
| Hand towels                      | 25 x 20   | 4    | -/-      |
| OR tape                          | 10 x 50   | 1    | 591050   |
| Side drape                       | 75 x 100  | 2    | 538811   |
| Foot drape                       | 175 x 180 | 1    | 538806   |
| Head drape                       | 175 x 300 | 1    | 538808   |

Particularity: with larger head drape

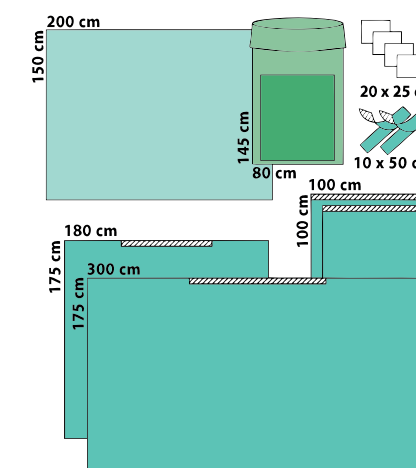


### Universal Pack, super + **561027**

PU: 7 packs

| Cont. and sequence               | Size/cm   | Qty. | Ref. no. |
|----------------------------------|-----------|------|----------|
| Plain drape – table cover (wrap) | 150 x 200 | 1    | 808869   |
| Mayo stand cover                 | 80 x 145  | 1    | 547714   |
| Hand towels                      | 25 x 20   | 4    | -/-      |
| OR tape                          | 10 x 50   | 2    | 591050   |
| Side drape                       | 100 x 100 | 2    | 538813   |
| Foot drape                       | 175 x 180 | 1    | 538806   |
| Head drape                       | 175 x 300 | 1    | 538808   |

Particularity: with larger back table cover, side drapes, head drapes and additional OR tape



### Universal Pack, aquamarine ~~delete~~ **861088**

PU: 8 packs

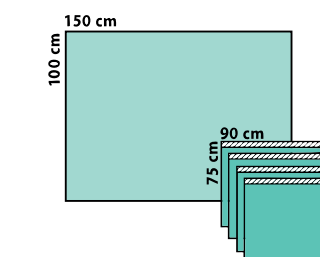
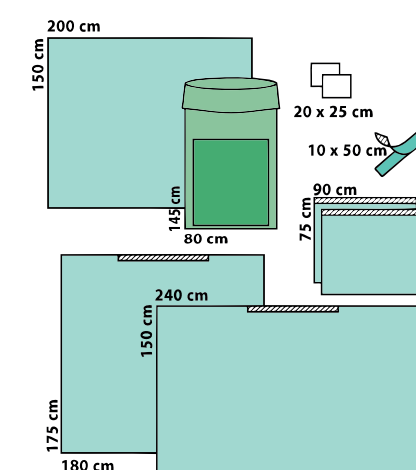
| Cont. and sequence               | Size/cm   | Qty. | Ref. no. |
|----------------------------------|-----------|------|----------|
| Plain drape – table cover (wrap) | 150 x 200 | 1    | 808869   |
| OR tape                          | 10 x 50   | 1    | 591050   |
| Hand towels                      | 25 x 20   | 2    | -/-      |
| Mayo stand cover                 | 80 x 145  | 1    | 547714   |
| Side drapes, 2-ply               | 75 x 90   | 2    | 838823   |
| Foot drape                       | 180 x 175 | 1    | 838806   |
| Head drape                       | 150 x 240 | 1    | 838807   |

Last sales 2017

### Universal Pack Mini **564340**

PU: 16 packs

| Cont. and sequence               | Size/cm   | Qty. | Ref. no. |
|----------------------------------|-----------|------|----------|
| Plain drape – table cover (wrap) | 100 x 150 | 1    | 808823   |
| Adhesive drapes, 2-ply           | 75 x 90   | 4    | 538823   |



## MIS Drapes

### MIS Drape **558806-9**

| Description                              | Size/cm   |
|--|-----------|
| MIS drape, 29 x 32 cm aperture, adhesive | 225 x 320 |

Only available as a non-sterile pack component

### MIS Drape with leggings **558884**

Inliner/PU: 7 drapes

| Description                              | Size/cm    | Qty. | Ref. no. |
|--|------------|------|----------|
| MIS drape, 29 x 32 cm aperture, adhesive | 225 x 320  | 1    | 558884   |
| OR tapes                                 | 10 x 50    | 4    | 591050   |
| Velcro strips                            | 2/2.5 x 24 | 2    | 592525   |

### MIS Pack **563852**

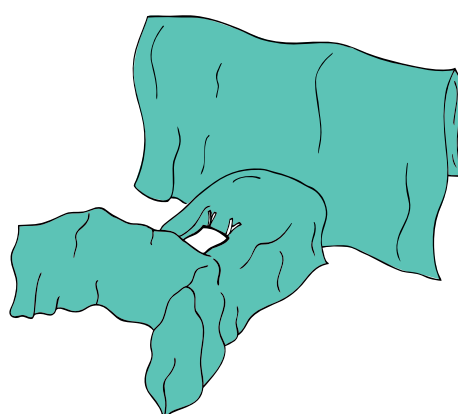
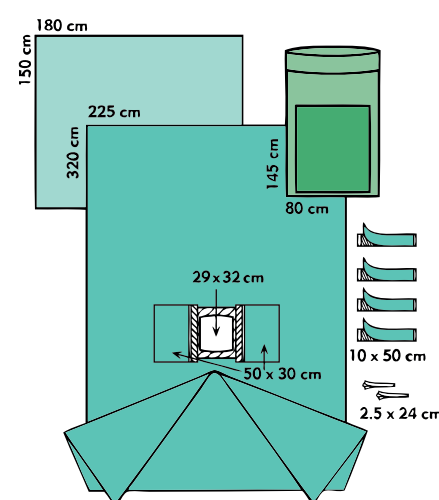
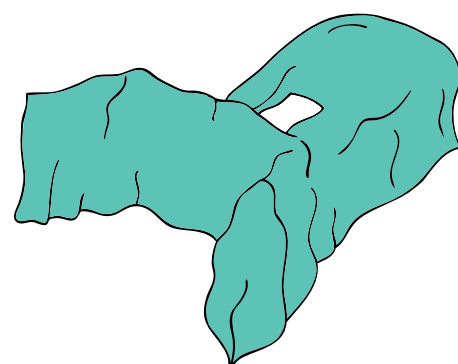
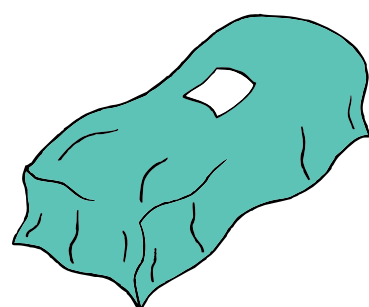
PU: 6 packs

| Cont. and sequence   | Size/cm   | Qty. | Ref. no. |
|--|-----------|------|----------|
| Plain drape – table cover (wrap)   | 150 x 200 | 1    | 808869   |
| Mayo stand cover   | 80 x 145  | 1    | 547714   |
| MIS drape with leggings, 29 x 32 cm aperture, adhesive, with integral diathermy pouches, 30 x 50 cm. | 225 x 320 | 1    | 558875   |
| OR tape  | 10 x 50   | 4    | 591050   |
| Velcro strips  | 2.5 x 25  | 2    | 592525   |

### MIS Drape T-Form **558876-9**

| Description  | Size/cm       |
|--|---------------|
| MIS drape with leggings, anaesthesia part with OR tape to fix, 29 x 32 cm aperture, adhesive with 4 integral velcro strips | 280/225 x 350 |

Only available as a non-sterile pack component



## Rectum Drapes and Pack

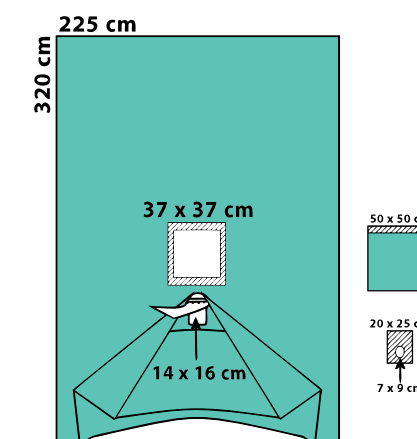
### Rectum with leggings **558885-9**

| Description  | Size/cm   | Qty. | Ref. no. |
|--|-----------|------|----------|
| Rectum drape with leggings, 37 x 37 cm adhesive fenestration and non-adhesive 14 x 16 cm perineal aperture with protective curtain | 225 x 320 | 1    | 558885   |

|   |         |  |        |
|---|---------|--|--------|
| OR tape, transparent, with 7 x 9 cm aperture to reduce in size and securely fix the perineal aperture | 20 x 25 |  | 592125 |
|---|---------|--|--------|

|                       |         |   |        |
|-----------------------|---------|---|--------|
| Adhesive drape, 2-ply | 50 x 50 | 1 | 538822 |
|-----------------------|---------|---|--------|

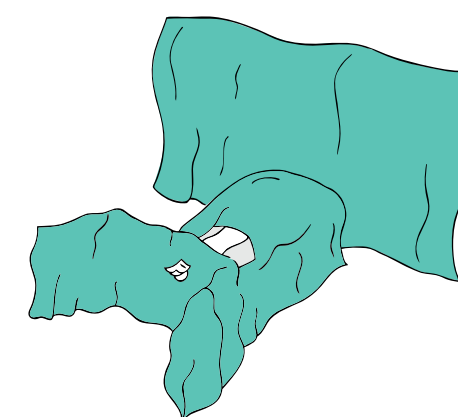
Only available as a non-sterile pack component



### Rectum Drape T-Form **558869-9**

| Description  | Size/cm       |
|--|---------------|
| Rectum drape with leggings, aperture 29 x 32 cm, adhesive, 2 integral diathermy pouches, with non-adhesive perineal aperture 9 x 17 cm with protective curtain | 280/225 x 350 |

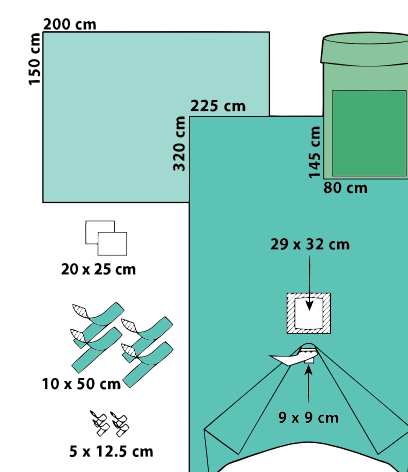
Only available as a non-sterile pack component



### Rectum Pack with leggings **561030**

PU: 12 packs

| Cont. and sequence  | Size/cm   | Qty. | Ref. no. |
|---|-----------|------|----------|
| Plain drape – table cover (wrap)  | 150 x 200 | 1    | 808869   |
| Mayo stand cover  | 80 x 145  | 1    | 547714   |
| Hand towels   | 20 x 25   | 2    | -/-      |
| OR tapes  | 10 x 50   | 4    | 591050   |
| OR tapes  | 5 x 12.5  | 4    | 590512   |
| Rectum drape with leggings, adhesive 29 x 32 cm aperture, and 9 x 9 cm non-adhesive perineal aperture with protective curtain | 225 x 320 | 1    | 558867   |

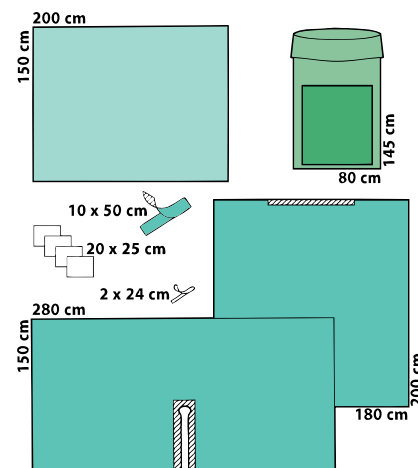


## Strumectomy Packs

### Strumectomy Pack, standard **561302**

PU: 8 packs

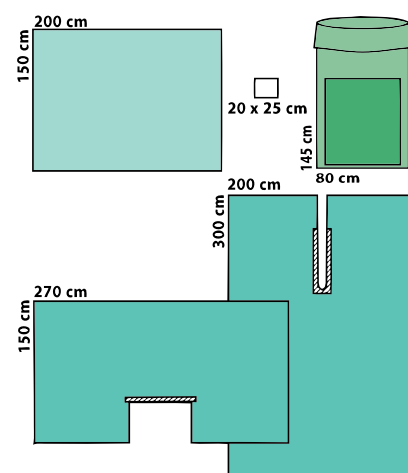
| Cont. and sequence               | Size/cm     | Qty. | Ref. no. |
|----------------------------------|-------------|------|----------|
| Plain drape – table cover (wrap) | 150 x 200   | 1    | 808869   |
| Mayo stand cover                 | 80 x 145    | 1    | 547714   |
| Hand towels                      | 25 x 20     | 4    | -/-      |
| OR tape                          | 10 x 50     | 1    | 591050   |
| Velcro strip, adhesive           | 2/2.25 x 24 | 1    | 592525   |
| Foot drape                       | 180 x 200   | 1    | 538810   |
| Split sheet, U=65 cm             | 150 x 280   | 1    | 528804   |



### U-Drape Pack 1 **561119**

PU: 10 packs

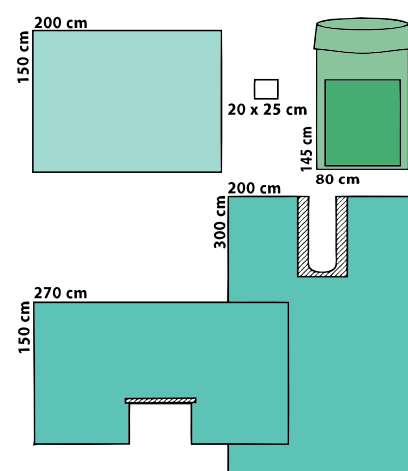
| Cont. and sequence               | Size/cm   | Qty. | Ref. no. |
|----------------------------------|-----------|------|----------|
| Plain drape – table cover (wrap) | 150 x 200 | 1    | 808869   |
| Hand towel                       | 25 x 20   | 1    | -/-      |
| Mayo stand cover                 | 80 x 145  | 1    | 547714   |
| Split sheet, U=7.5 x100 cm       | 200 x 300 | 1    | 528863   |
| Split sheet, U=65 x 45 cm        | 150 x 270 | 1    | 528864   |



### U-Drape Pack 2 **563770**

PU: 10 packs

| Cont. and sequence               | Size/cm   | Qty. | Ref. no. |
|----------------------------------|-----------|------|----------|
| Plain drape – table cover (wrap) | 150 x 200 | 1    | 808869   |
| Mayo stand cover                 | 80 x 145  | 1    | 547714   |
| Hand towel                       | 25 x 20   | 1    | -/-      |
| Split sheet, U=30 x 80 cm        | 200 x 300 | 1    | 528816   |
| Split sheet, U=65 x 45 cm        | 150 x 270 | 1    | 528864   |

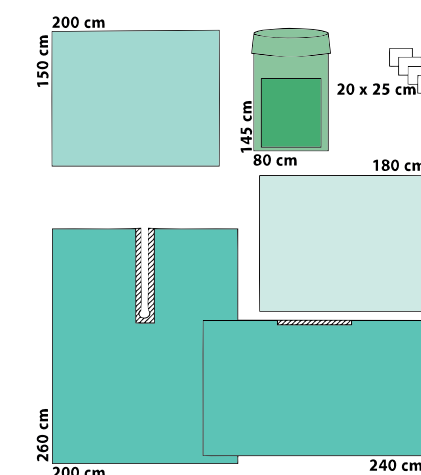


## Split Sheet Packs

### Split Sheet Pack, standard **561112**

PU: 7 packs

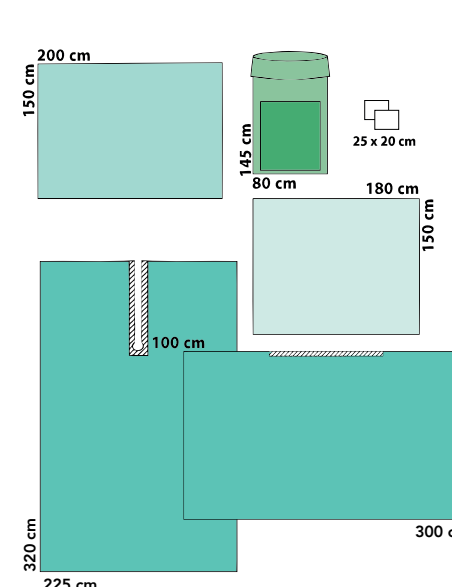
| Cont. and sequence               | Size/cm   | Qty. | Ref. no. |
|----------------------------------|-----------|------|----------|
| Plain drape – table cover (wrap) | 150 x 200 | 1    | 808869   |
| Mayo stand cover                 | 80 x 145  | 1    | 547714   |
| Hand towels                      | 25 x 20   | 4    | -/-      |
| Bottom drape, Mediwell 3-ply     | 150 x 180 | 1    | 501518   |
| Split sheet, U=7.5 x 100 cm      | 200 x 260 | 1    | 528805   |
| Adhesive drape                   | 150 x 240 | 1    | 538807   |



### Split Sheet Pack, Super **564371**

PU: 8 packs

| Cont. and sequence               | Size/cm   | Qty. | Ref. no. |
|----------------------------------|-----------|------|----------|
| Plain drape – table cover (wrap) | 150 x 200 | 1    | 808869   |
| Mayo stand cover                 | 80 x 145  | 1    | 547714   |
| Bottom drape, Mediwell 3-ply     | 150 x 180 | 1    | 501518   |
| Split sheet, U=7.5 x 100 cm      | 225 x 320 | 1    | 528808   |
| Adhesive drape                   | 175 x 300 | 1    | 538808   |
| Hand towels                      | 25 x 20   | 2    | -/-      |



Hier Text eingeben

## Cardio/Thoracic, Vascular Surgery



With heart and mind: Our cardiovascular solutions fulfil the highest quality requirements in heart surgery. Innovative OR drapes provide optimum flexibility and safety – for established and for new surgical methods e.g. hybrid surgery.

Standard and customised OR drapes for angiography complete our product portfolio.

You will find further products in our separate cardio-surgery and angiography brochure.





You will find further products in our separate cardio-surgery and angiography brochure.

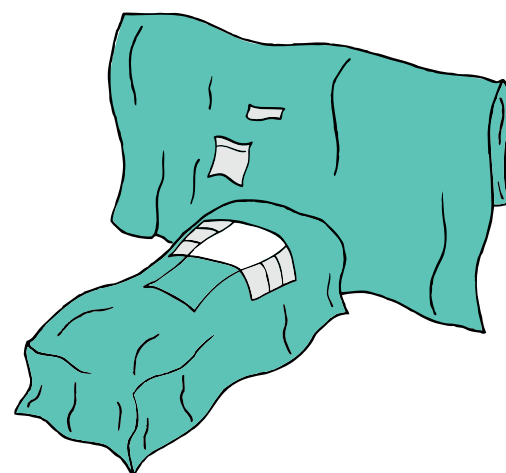
## Cardio/Thoracic Drapes

### Cardio/Thoracic Drape

**558914**

PU: 4 drapes

| Description  | Size/cm       |
|--|---------------|
| T-form, anaesthesia part with double film thickness, 3 integral adhesive strips to fix 33 x 28 cm diathermy pouch and clamp strip. Thoracic part with 33 x 40 cm fenestration with integral incision film, 2 triple chamber diathermy pouches and 50 x 50 cm adhesive drape. | 300/225 x 300 |

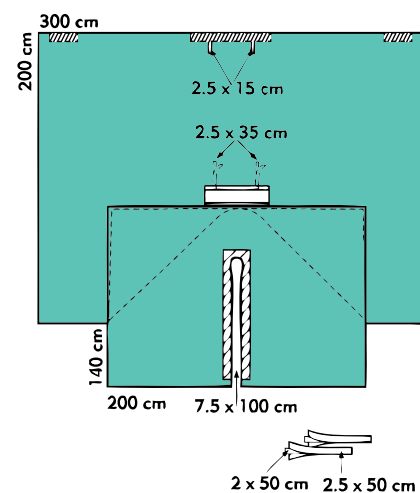


### Cardio/Thoracic Drape

**558993-9**

| Description   | Size/cm       | Qty. | Ref. no. |
|---|---------------|------|----------|
| T-form, anaesthesia part with double film thickness, 3 integral adhesive strips to fix, 2 velcro fasteners and reinforced clamp strip. Thoracic part with self adhesive slit 100 cm | 300/200 x 300 | 1    | 558993   |
| Velcro strips   | 2/2.5 x 50    | 2    | 592550   |

Only available as a non-sterile pack component



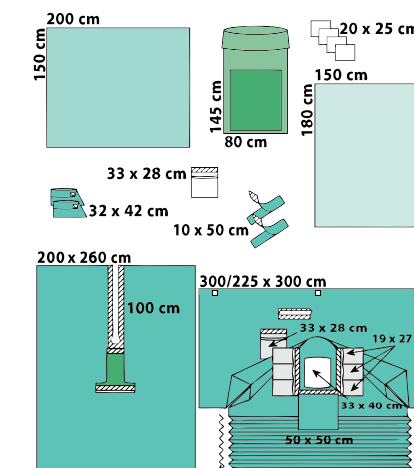
## Bypass Packs

### Cardiovascular/Bypass Pack

**561559**

PU: 3 packs

| Cont. and sequence                  | Size/cm       | Qty. | Ref. no. |
|-------------------------------------|---------------|------|----------|
| Plain drape – table cover (wrap)    | 150 x 200     | 1    | 808869   |
| Mayo stand cover                    | 80 x 145      | 1    | 547714   |
| Hand towels                         | 20 x 25       | 4    | -/-      |
| Foot covers, 2-ply                  | 32 x 42       | 2    | 589950   |
| Diathermy pouch                     | 33 x 28       | 1    | 583330   |
| OR tape, elastic                    | 10 x 50       | 2    | 591151   |
| Bottom drape, Mediwell              | 150 x 180     | 1    | 501518   |
| Varicose vein drape, U=7.5 x 100 cm | 200 x 260     | 1    | 528806   |
| Cardiovascular drape                | 300/225 x 300 | 1    | 558914   |

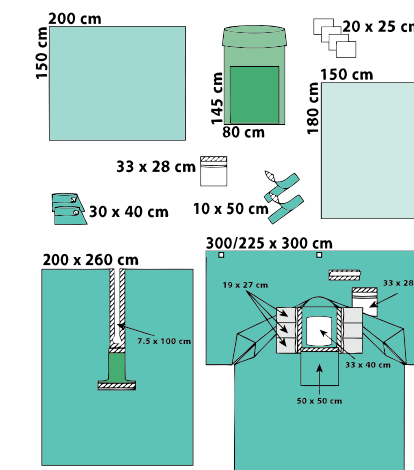


### Bypass Pack 808821 replaced by 808869

**561568**

PU: 6 packs

| Cont. and sequence                  | Size/cm       | Qty. | Ref. no. |
|-------------------------------------|---------------|------|----------|
| Plain drape – table cover (wrap)    | 150 x 200     | 1    | 808821   |
| Mayo stand cover                    | 80 x 145      | 1    | 547714   |
| Hand towels                         | 20 x 25       | 4    | -/-      |
| Foot covers, 2-ply                  | 32 x 42       | 2    | 589950   |
| Diathermy pouch                     | 33 x 28       | 1    | 583330   |
| OR tape, elastic                    | 10 x 50       | 2    | 591151   |
| Bottom drape, Mediwell              | 150 x 180     | 1    | 501518   |
| Varicose vein drape, U=7.5 x 100 cm | 200 x 260     | 1    | 528806   |
| Cardiovascular drape                | 300/225 x 300 | 1    | 558998   |

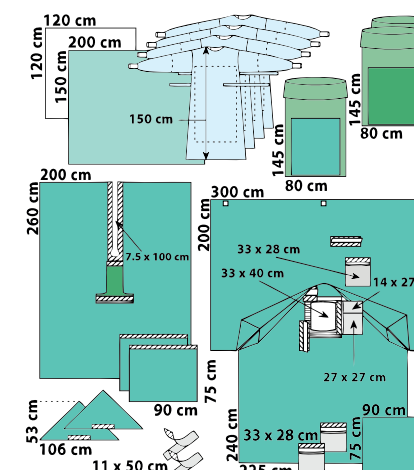


### ~~Bypass Pack~~

delete **561575**

PU: 2 packs

| Cont. and sequence                  | Size/cm       | Qty. | Ref. no. |
|-------------------------------------|---------------|------|----------|
| Steriflex overwrap                  | 120 x 120     | 1    | 901212   |
| Plain drape – table cover (wrap)    | 150 x 200     | 1    | 808869   |
| OR gown, reinforced                 | XL = 150      | 4    | 464417   |
| Mayo stand cover                    | 80 x 145      | 2    | 547714   |
| Mayo stand cover                    | 80 x 145      | 1    | 547716   |
| Varicose vein drape, U=7.5 x 100 cm | 200 x 260     | 1    | 528806   |
| Foot covers, 2-ply                  | 53 x 106      | 2    | 588813   |
| OR tape                             | 11 x 50       | 2    | 591150   |
| Adhesive drapes, 2-ply              | 75 x 90       | 2    | 538823   |
| Cardiovascular drape                | 300/225 x 350 | 1    | 559000   |
| Diathermy pouches                   | 33 x 28       | 2    | 583330   |
| Plain drape, 2-ply                  | 75 x 90       | 1    | 508824   |



Particularity: with additional overwrap, extra standard and reinforced Mayo stand covers

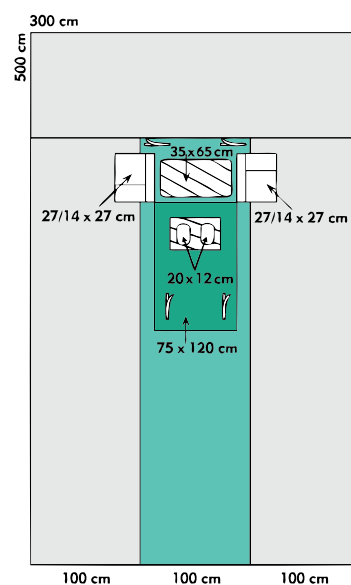
You will find further products in our separate cardio-surgery and angiography brochure.

## Hybrid Drapes

### Cardio/Angiography Drape **559060-9** with thoracic and 2 femoral apertures

| Description  | Size/cm   |
|--|-----------|
| with 3 integral, transparent wide film strips, 2 x 100 x 400 cm and 1 x 100 x 300 cm, 2 apertures 12 x 20 cm, 1 aperture 35 x 65 cm with incision film, adhesive, reinforcement 75 x 120 cm, 4 velcro strips and 2 diathermy pouches | 300 x 500 |

Only available as a non-sterile pack component

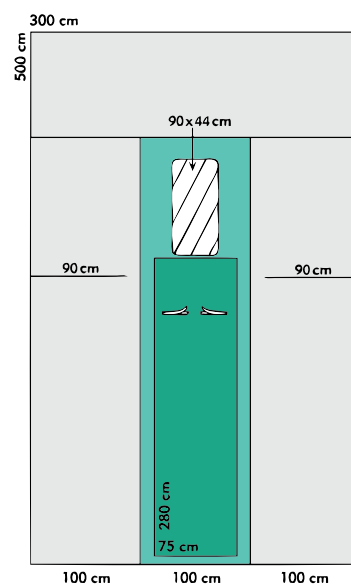


### Cardio/Angiography Drape **559081-9**

| Description  | Size/cm   |
|--|-----------|
| with 3 integral, transparent wide film strips, 2 x 100 x 400 cm and 1 x 100 x 300 cm, aperture 44 x 90 cm with incision film, adhesive, reinforcement 75 x 280 cm, 2 velcro strips | 300 x 500 |

Only available as a non-sterile pack component

Note: also available without lateral slits, article number 559181-9, as a non-sterile pack component

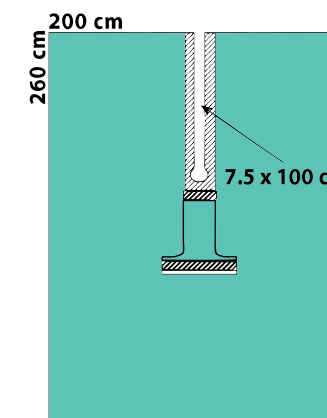


## Supplementary Products

### Varicose Vein Drape **528806**

PU: 16 drapes

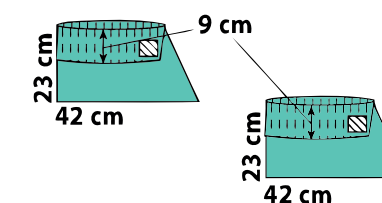
| Description   | Size/cm   |
|---|-----------|
| 100 cm U-slit, adhesive and adhesive perineal drape made of Colordrape, with elastified sides | 200 x 260 |



### Foot Covers **589950**

Dispenser, PU: 180 pairs

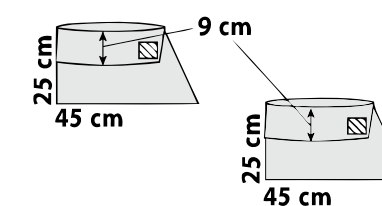
| Description                          | Size/cm    | Qty./disp. |
|--------------------------------------|------------|------------|
| Foot cover with adhesive zone to fix | 23-32 x 42 | 30 pairs   |



### Foot Covers **589951**

Dispenser, PU: 150 pairs

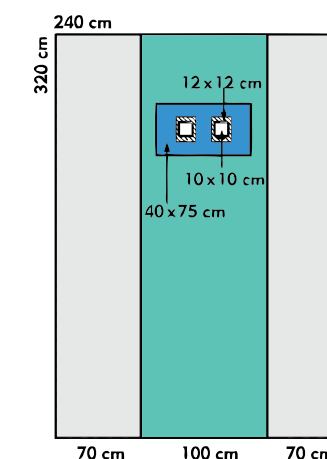
| Description   | Size/cm    | Qty./disp. |
|---|------------|------------|
| Foot cover made of transparent film drape with adhesive zone to fix | 25-34 x 45 | 50 pairs   |



### Pacemaker Drape **559054-9**

| Description   | Size/cm   |
|---|-----------|
| Angiography drape with 2 integral, transparent film strips, aperture 12 x 12 cm, adhesive with fenestrated incision film 10 x 10 cm and Mediwell absorb reinforcement | 240 x 320 |

Only available as a non-sterile pack component



You will find further products in our separate cardio-surgery and angiography brochure.

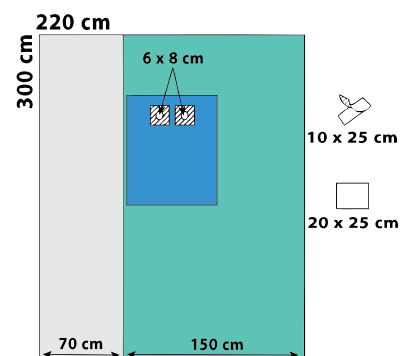
## Angiography Drapes

### Angiography Drape

**558805**

PU: 10 drapes

| Description  | Size/cm   | Qty. | Ref. no. |
|--|-----------|------|----------|
| Transparent film strip 70 cm, 2 apertures 6 x 8 cm, adhesive and absorbent reinforcement 75 x 100 cm | 220 x 300 | 1    | 558805   |
| OR tape strips   | 10 x 25   | 1    | 591025   |
| Hand towel   | 20 x 25   | 1    | -/-      |

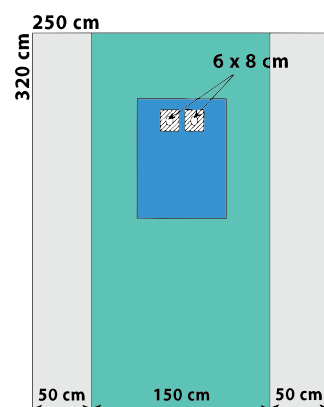


### Angiography Drape

**558956**

PU: 14 drapes

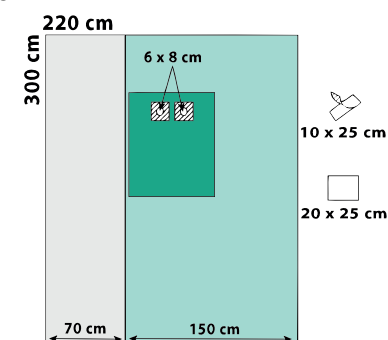
| Description  | Size/cm   | Ref. no. |
|--|-----------|----------|
| Angiography drape with 2 integral, transparent wide film strips, 50 cm, 2 apertures 6 x 8 cm, adhesive and absorbent non-woven reinforcement 75 x 100 cm | 250 x 320 | 558956   |



### Angiography Drape, aquamarine **858805** delete

PU: 22 drapes

| Description  | Size/cm   | Qty. | Ref. no. |
|--|-----------|------|----------|
| Angiography drape with transparent film side strip 70 cm, 2 apertures 6 x 8 cm, adhesive and absorbent reinforcement 75 x 100 cm | 220 x 300 | 1    | 858805   |
| OR tape strips   | 10 x 25   | 1    | 591025   |
| Hand towel   | 20 x 25   | 1    | -/-      |

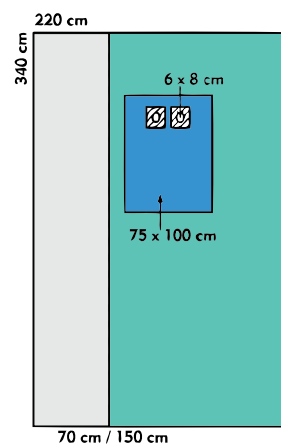


### Angiography Drape

**558918-9**

| Description   | Size/cm   |
|---|-----------|
| Angiography drape with transparent film strip 70 cm, 2 apertures 6 x 8 cm, adhesive and absorbent reinforcement 75 x 100 cm | 220 x 340 |

Only available as a non-sterile pack component

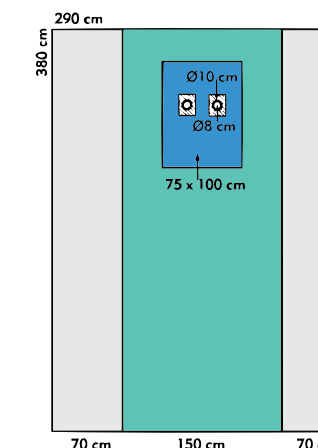


### Angiography Drape

**559053-9**

| Description   | Size/cm   |
|---|-----------|
| Angiography drape with 2 transparent film strips 70 cm, 2 apertures Ø 10 cm, adhesive with fenestrated incision film Ø 8 cm and absorbent reinforcement 75 x 100 cm | 290 x 380 |

Only available as a non-sterile pack component

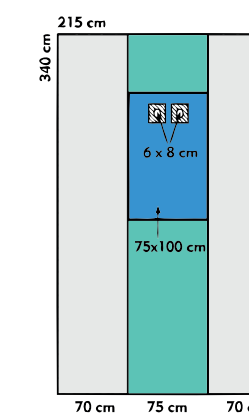


### Angiography Drape

**559071-9**

| Description  | Size/cm   |
|--|-----------|
| Angiography drape with 2 transparent film strips 70 cm, 2 apertures 8 x 6 cm, adhesive and absorbent reinforcement 75 x 100 cm | 215 x 340 |

Only available as a non-sterile pack component

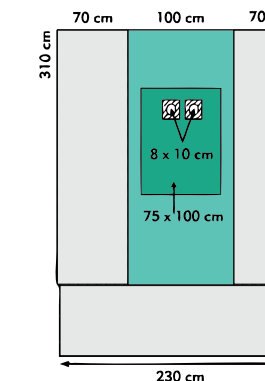


### Angiography Drape

**559059-9**

| Description   | Size/cm   |
|---|-----------|
| Angiography drape with 3 transparent film strips 70 cm, 2 apertures 8 x 10 cm, adhesive and absorbent reinforcement 75 x 100 cm | 240 x 310 |

Only available as a non-sterile pack component

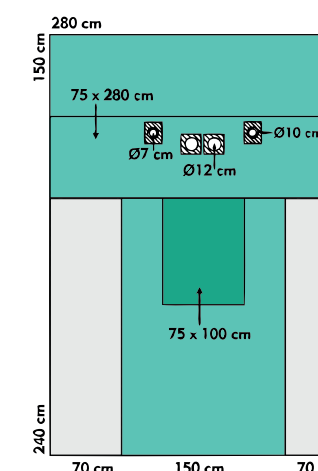


### 4 Femoral Radial Angiography Drape

**559100-9**

| Description  | Size/cm   |
|--|-----------|
| Angiography drape with 2 transparent film strips 70 x 240 cm, 2 apertures Ø 12 cm (femoral), adhesive, and 2 apertures Ø 10 cm (radial) with 7 cm fenestrated incision film, adhesive, and absorbent reinforcement | 280 x 390 |

Only available as a non-sterile pack component



# Orthopaedics, Traumatology



Our products offer highest quality for orthopaedics and traumatological surgeries e.g. joint replacement. Easy handling guarantees high application comfort.

Furthermore, a large selection of extremity drapes with and without pouch are available in a wide range of models.





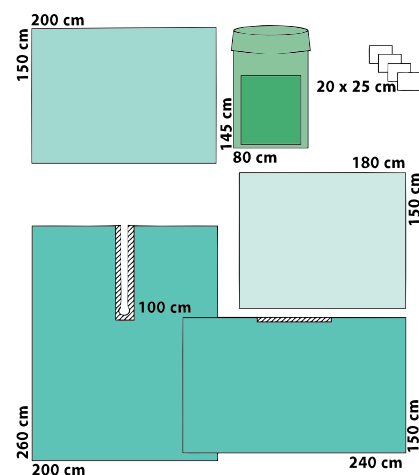
## Split Sheet Pack

### Split Sheet Pack, standard

**561112**

PU: 7 packs

| Cont. and sequence               | Size/cm   | Qty. | Ref. no. |
|----------------------------------|-----------|------|----------|
| Plain drape – table cover (wrap) | 150 x 200 | 1    | 808869   |
| Mayo stand cover                 | 80 x 145  | 1    | 547714   |
| Hand towels                      | 25 x 20   | 4    | -/-      |
| Bottom drape, Mediwell 3-ply     | 150 x 180 | 1    | 501518   |
| Split sheet, U=7.5 x 100 cm      | 200 x 260 | 1    | 528805   |
| Adhesive drape                   | 150 x 240 | 1    | 538807   |



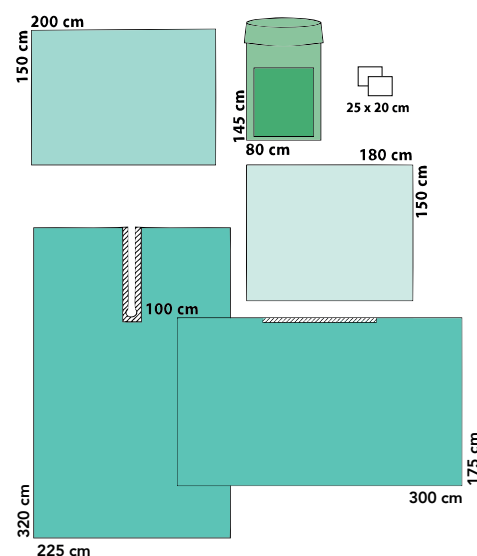
S-Special production, page 29 too

### Split Sheet Pack, Super

**564371**

PU: 8 packs

| Cont. and sequence               | Size/cm   | Qty. | Ref. no. |
|----------------------------------|-----------|------|----------|
| Plain drape – table cover (wrap) | 150 x 200 | 1    | 808869   |
| Mayo stand cover                 | 80 x 145  | 1    | 547714   |
| Bottom drape, Mediwell 3-ply     | 150 x 180 | 1    | 501518   |
| Split sheet, U=7.5 x 100 cm      | 225 x 320 | 1    | 528808   |
| Adhesive drape                   | 175 x 300 | 1    | 538808   |
| Hand towels                      | 25 x 20   | 2    | -/-      |



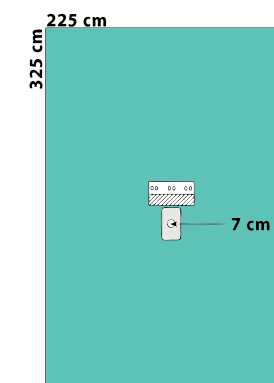
## Extremity Drapes

### Extremity Drape

**518810**

PU: 12 drapes

| Description   | Size/cm   |
|---|-----------|
| Extremity drape with Ø 7 cm elastic aperture with cable/tube holder | 225 x 320 |



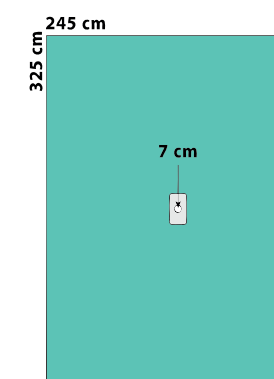
only non-sterile for packs

### Extremity Drape

**518864 -9**

PU: 12 drapes

| Description                                  | Size/cm   |
|--|-----------|
| Extremity drape with Ø 7 cm elastic aperture | 245 x 325 |

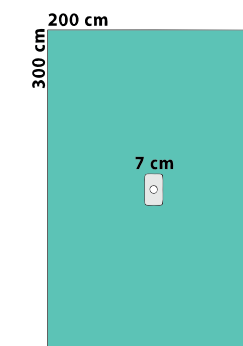


### Extremity Drape

**518820**

PU: 16 drapes

| Description  | Size/cm   |
|--|-----------|
| Extremity drape, 2-ply, with Ø 7 cm elastic aperture | 200 x 300 |



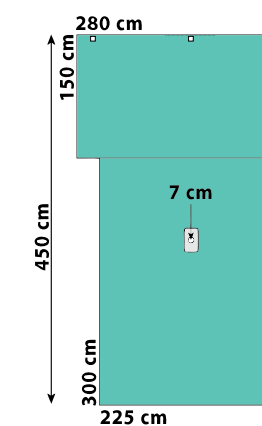
Hier Text eingeben

### Extremity Drape T-Form

**518861-9**

| Description  | Size/cm       |
|--|---------------|
| Extremity drape in T-form with 7 cm elastic aperture | 280/225 x 450 |

Only available as a non-sterile pack component

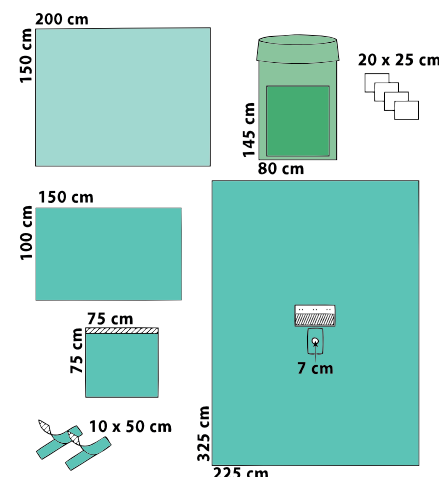


## Extremity Packs

### Extremity Pack, standard **561107**

PU: 8 packs

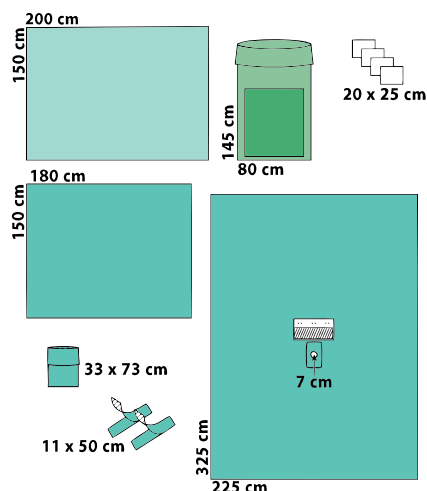
| Cont. and sequence  | Size/cm   | Qty. | Ref. no. |
|---|-----------|------|----------|
| Plain drape – table cover (wrap)                                | 150 x 200 | 1    | 808869   |
| Mayo stand cover  | 80 x 145  | 1    | 547714   |
| Hand towels   | 25 x 20   | 4    | -/-      |
| Bottom drape  | 100 x 150 | 1    | 508803   |
| Adhesive drape  | 75 x 75   | 1    | 538801   |
| OR tape   | 10 x 50   | 2    | 591050   |
| Extremity drape with Ø 7 cm elastic aperture, cable/tube holder | 225 x 325 | 1    | 518810   |



### Extremity Pack, standard 2 **561117**

PU: 7 packs

| Cont. and sequence  | Size/cm   | Qty. | Ref. no. |
|---|-----------|------|----------|
| Plain drape – table cover (wrap)                                | 150 x 200 | 1    | 808869   |
| Mayo stand cover  | 80 x 145  | 1    | 547714   |
| Hand towels   | 25 x 20   | 4    | -/-      |
| Bottom drape, 2-ply   | 150 x 180 | 1    | 508821   |
| Stockinette   | 33 x 73   | 1    | 583355   |
| OR tape, film   | 11 x 50   | 2    | 591150   |
| Extremity drape with Ø 7 cm elastic aperture, cable/tube holder | 225 x 325 | 1    | 518810   |



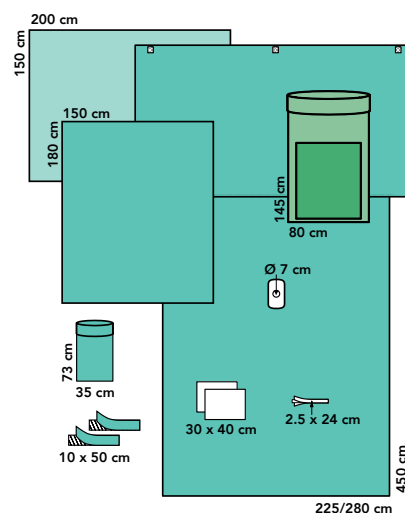
Particularity: with Stockinette

S- special production

### Extremity Pack with Drape T-Form **564349**

PU: 10 packs

| Cont. and sequence                                   | Size/cm       | Qty. | Ref. no. |
|--|---------------|------|----------|
| Plain drape – table cover (wrap)                     | 150 x 200     | 1    | 808869   |
| Mayo stand cover super                               | 80 x 145      | 1    | 547718   |
| Bottom drape, 2-ply                                  | 150 x 180     | 1    | 508821   |
| Stockinette  | 33 x 73       | 1    | 583355   |
| Hand towels  | 30 x 40       | 2    | 624040   |
| OR tape, elastic                                     | 10 x 50       | 2    | 591151   |
| Velcro strip   | 2/2.5 x 24    | 1    | 592525   |
| Extremity drape in T-form with 7 cm elastic aperture | 280/225 x 450 | 1    | 518861   |

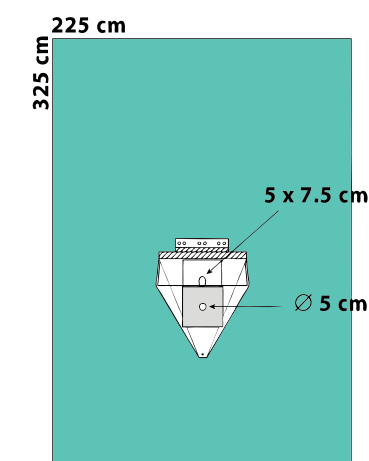


## Arthroscopy Drapes

### Arthroscopy Drape **518813**

PU: 12 drapes

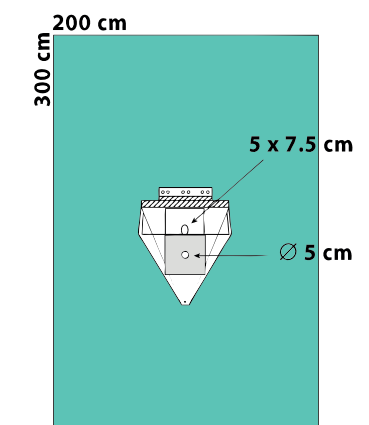
| Description  | Size/cm   |
|--|-----------|
| Arthroscopy drape with cable/tube holder and fluid collection pouch with drainage port | 225 x 325 |



### Arthroscopy Drape "small" **518853**

PU: 24 drapes

| Description  | Size/cm   |
|--|-----------|
| Arthroscopy drape "small", 2-ply, with cable/tube holder and fluid collection pouch with drainage port | 200 x 300 |

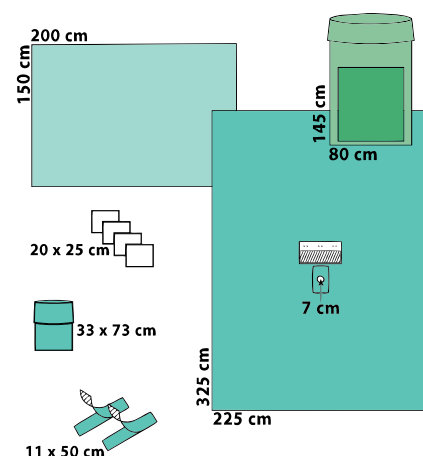


## Arthroscopy Packs

### Arthroscopy Pack, standard 1 **561105**

PU: 9 packs

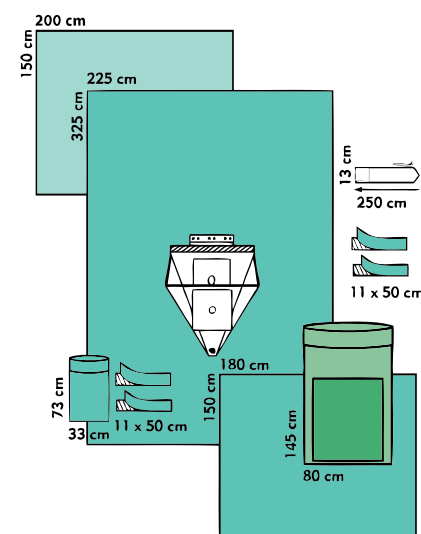
| Cont. and sequence  | Size/cm   | Qty. | Ref. no. |
|---|-----------|------|----------|
| Plain drape – table cover (wrap)                                | 150 x 200 | 1    | 808869   |
| Mayo stand cover  | 80 x 145  | 1    | 547714   |
| Hand towels   | 20 x 25   | 4    | -/-      |
| Stockinette, 2-ply  | 33 x 73   | 1    | 583355   |
| OR tape, film   | 11 x 50   | 2    | 591150   |
| Extremity drape with Ø 7 cm elastic aperture, cable/tube holder | 225 x 325 | 1    | 518810   |



### Arthroscopy Pack with fluid collection pouch **561149**

PU: 8 packs

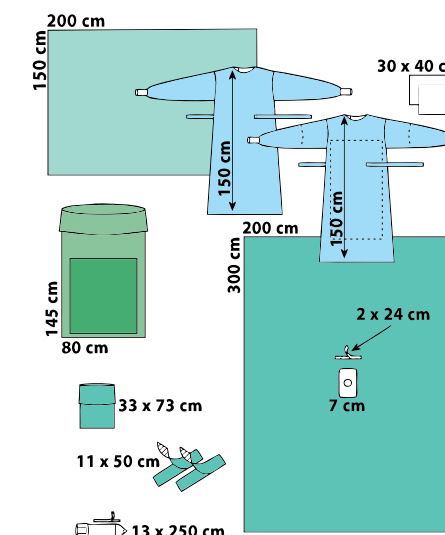
| Description  | Size/cm   | Qty. | Ref. no. |
|--|-----------|------|----------|
| Plain drape – table cover (wrap)   | 150 x 200 | 1    | 808869   |
| Mayo stand cover   | 80 x 145  | 1    | 547714   |
| Plain drape, 2-ply   | 150 x 180 | 1    | 508821   |
| Stockinette  | 33 x 73   | 1    | 583355   |
| OR tape, film  | 11 x 50   | 4    | 591150   |
| Camera tube cover, telescopically  | 13 x 250  | 1    | 581323   |
| Arthroscopy drape with cable/tube holder and fluid collection pouch with drainage port | 225 x 325 | 1    | 518813   |



### Arthroscopy Pack, standard 3 **563035**

PU: 6 packs

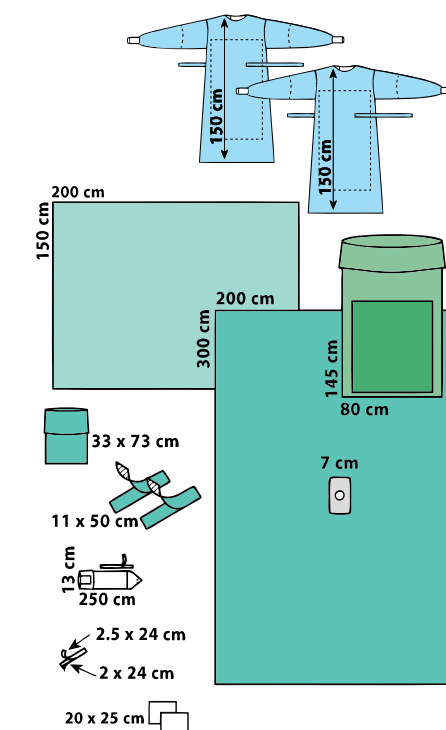
| Cont. and sequence  | Size/cm   | Qty. | Ref. no. |
|---|-----------|------|----------|
| Plain drape – table cover (wrap)  | 150 x 200 | 1    | 808869   |
| Hand towels   | 30 x 40   | 2    | -/-      |
| OR gown, standard   | XL = 150  | 1    | 464416   |
| OR gown, reinforced   | XL = 150  | 1    | 464417   |
| Mayo stand cover  | 80 x 145  | 1    | 547714   |
| Stockinette, 2-ply  | 33 x 73   | 1    | 583355   |
| OR tape, film   | 11 x 50   | 2    | 591150   |
| Camera tube cover, telescopically   | 13 x 250  | 1    | 581323   |
| Extremity drape, 2-ply, with Ø 7 cm elastic aperture, decentral and integral velcro strip | 200 x 300 | 1    | 518819   |



### Arthroscopy Pack with OR gowns **561122**

PU: 12 packs

| Cont. and sequence                            | Size/cm    | Qty. | Ref. no. |
|---|------------|------|----------|
| Plain drape – table cover (wrap)              | 150 x 200  | 1    | 808869   |
| Mayo stand cover                              | 80 x 145   | 1    | 547714   |
| OR gown, SMS reinforced                       | XL=150     | 2    | 464437   |
| Stockinette                                   | 33 x 73    | 1    | 583355   |
| OR tape, film                                 | 11 x 50    | 2    | 591150   |
| Camera tube cover, telescopically             | 13 x 250   | 1    | 581323   |
| Velcro strip                                  | 2/2.5 x 25 | 1    | 592525   |
| Hand towels                                   | 20 x 25    | 2    | -/-      |
| Extremity drape, with Ø 7 cm elastic aperture | 200 x 300  | 1    | 518820   |

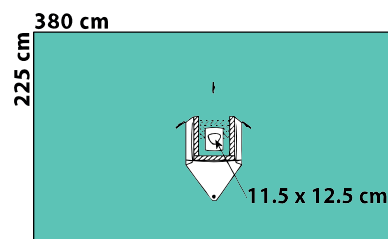


## Shoulder Drape

### Shoulder Drape "Beach Chair" 518835

with integral fluid collection pouch  
PU: 10 drapes

| Description  | Size/cm   |
|--|-----------|
| Shoulder drape, pearshaped, 11.5 x 12.5 cm elastic aperture, central, with 5.5 x 20 cm adhesive zone to fix to the patient side; fluid collection pouch with drainage port and pliable rim strip and 3 integral velcro strips on the front. For procedures in the seated position. | 380 x 225 |



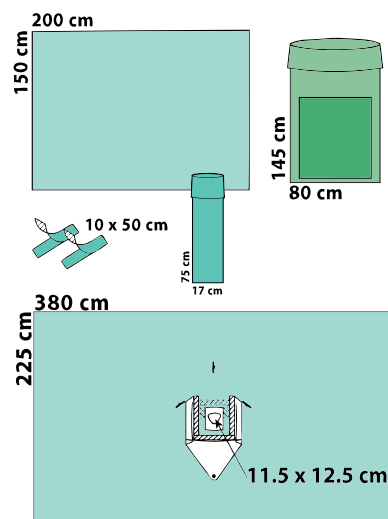
### Shoulder Pack "Beach Chair" 864351

aquamarine  
PU: 14 packs

| Cont. and sequence               | Size/cm   | Qty. | Ref. no. |
|----------------------------------|-----------|------|----------|
| Plain drape – table cover (wrap) | 150 x 200 | 1    | 808869   |
| Mayo stand cover                 | 80 x 145  | 1    | 547714   |
| Stockinette                      | 17 x 75   | 1    | 588827   |
| OR tape, elastic                 | 10 x 50   | 2    | 591151   |

|  |           |   |        |
|--|-----------|---|--------|
| Shoulder drape, aquamarine, pearshaped, 11.5 x 12.5 cm elastic aperture, central, with 5.5 x 20 cm adhesive zone to fix to the patient side; fluid collection pouch with drainage port and pliable rim strip 3 integral velcro strips on the front. For procedures in the seated position. | 380 x 225 | 1 | 818835 |
|--|-----------|---|--------|

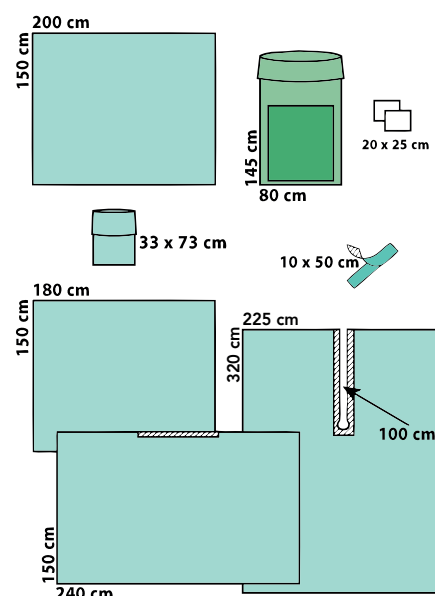
S- special production



### Shoulder Split Sheet Pack delete 861112

aquamarine  
PU: 7 packs

| Cont. and sequence               | Size/cm   | Qty. | Ref. no. |
|----------------------------------|-----------|------|----------|
| Plain drape – table cover (wrap) | 150 x 200 | 1    | 808869   |
| Mayo stand cover                 | 80 x 145  | 1    | 547714   |
| Stockinette                      | 33 x 73   | 1    | 883355   |
| OR tape, elastic                 | 10 x 50   | 2    | 591151   |
| Abdecktuch                       | 150 x 180 | 1    | 808821   |
| Split sheet, U= 7,5 x 100 cm     | 225 x 320 | 1    | 828805   |
| Adhesive drape                   | 150 x 240 | 1    | 838807   |
| Hand towels                      | 20 x 25   | 2    | -/-      |



## Hand Surgery Drapes

### Hand Surgery Drape 518844

PU: 20 drapes

| Description  | Size/cm       |
|--|---------------|
| Hand surgery drape, 2-ply, T-form, with integral arm table cover and elastic aperture Ø 3 cm | 360/150 x 330 |

### Hand Surgery Pack 563903

PU: 14 packs

| Cont. and sequence   | Size/cm       | Qty. | Ref. no. |
|--|---------------|------|----------|
| Plain drape – table cover (wrap)   | 150 x 200     | 1    | 808869   |
| Mayo stand cover   | 80 x 145      | 1    | 547718   |
| Hand surgery drape, 2-ply, T-form, with integral arm table cover and elastic aperture Ø 3 cm | 360/160 x 330 | 1    | 518844   |

### Hand Surgery Drape 518845

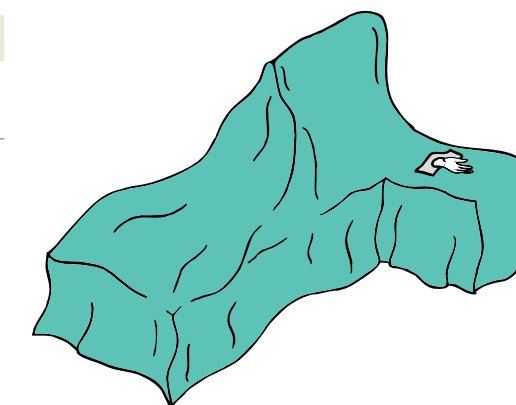
PU: 20 drapes

| Description  | Size/cm       |
|--|---------------|
| Hand surgery drape, 2-ply, T-form, with integral arm table cover and elastic aperture Ø 3 cm | 360/160 x 280 |

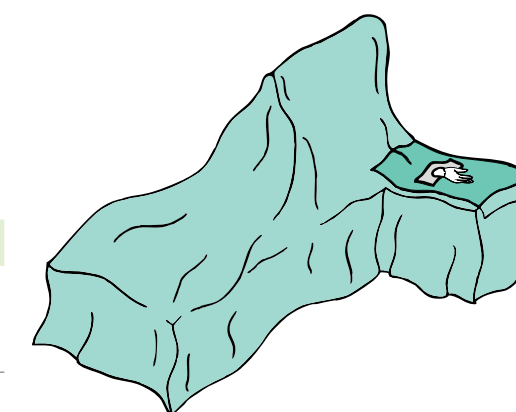
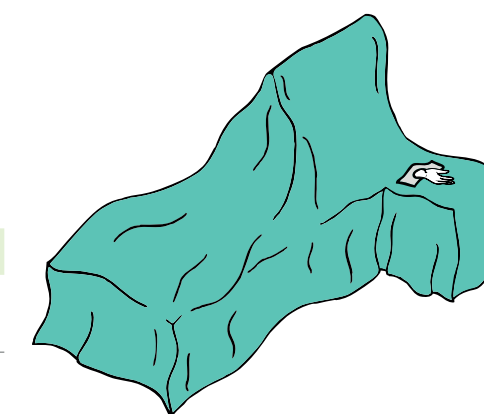
### Hand Surgery Drape, aquamarine 818848-9

| Description   | Size/cm       |
|---|---------------|
| Hand surgery drape, 2-ply, T-form, with integral arm table cover with elastic aperture Ø 3 cm and absorbent non-woven reinforcement | 360/150 x 295 |

Only available as a non-sterile pack component



not in the print catalogue





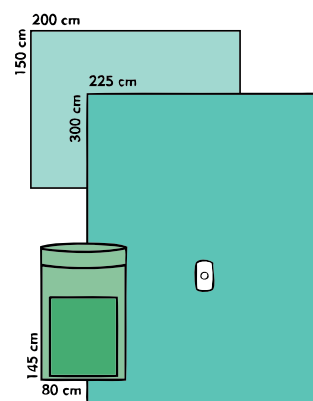
## Hand/Foot Pack and Drapes

### Hand/Foot Pack **564185**

PU: 10 packs

| Cont. and sequence               | Size/cm   | Qty. | Ref. no. |
|----------------------------------|-----------|------|----------|
| Plain drape – table cover (wrap) | 150 x 200 | 1    | 808869   |
| Mayo stand cover                 | 80 x 145  | 1    | 547714   |
| Hand/Foot drape                  | 225 x 300 | 1    | 518815   |

Particularity: with larger back table cover



### Hand/Foot Drape **518815**

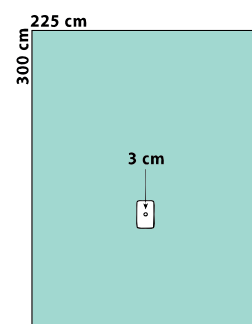
PU: 12 drapes

| Description   | Size/cm   |
|---|-----------|
| Extremity drape with Ø 3 cm elastic aperture, decentral | 225 x 300 |

### ~~Hand/Foot Drape, aquamarine~~ **818815-9** delete

| Description   | Size/cm   |
|---|-----------|
| Extremity drape with Ø 3 cm elastic aperture, decentral | 225 x 300 |

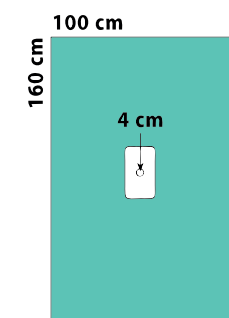
Only available as a non-sterile pack component



### Extremity Drape "small" **518825**

Dispenser, PU: 45 drapes

| Description  | Size/cm   | Qty./disp. |
|--|-----------|------------|
| Extremity drape, 2-ply, with Ø 4 cm elastic aperture | 100 x 160 | 15         |

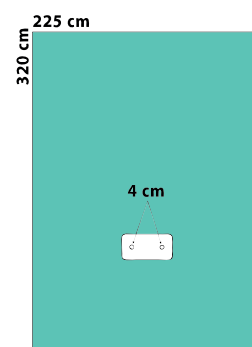


### Dual Extremity Drape **518832-9**

for procedures on both feet

| Description   | Size/cm   |
|---|-----------|
| Dual extremity drape, 2-ply, with Ø 4 cm elastic apertures, decentral | 225 x 320 |

Only available as a non-sterile pack component

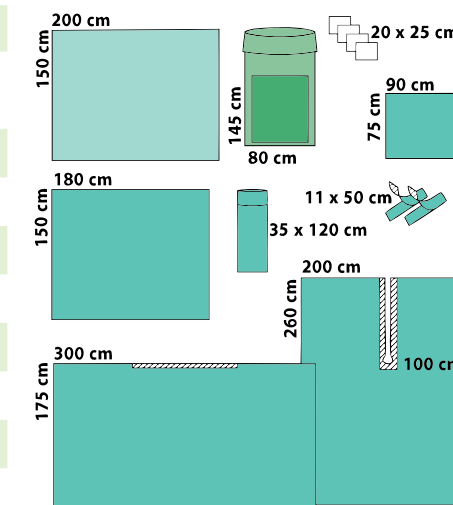


## Hip Pack and Drape

### Hip Pack, standard **561110**

PU: 5 packs

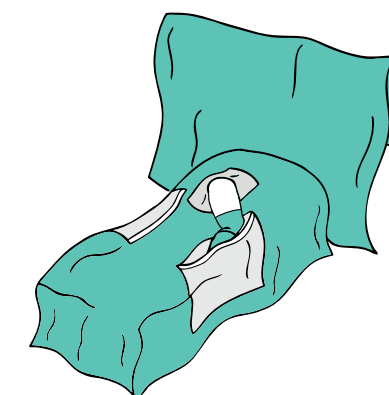
| Cont. and sequence               | Size/cm   | Qty. | Ref. no. |
|----------------------------------|-----------|------|----------|
| Plain drape – table cover (wrap) | 150 x 180 | 1    | 808821   |
| Mayo stand cover                 | 80 x 145  | 1    | 547714   |
| Hand towels                      | 20 x 25   | 4    | -/-      |
| Plain drape, 2-ply               | 75 x 90   | 1    | 508824   |
| Plain drape                      | 150 x 180 | 1    | 508801   |
| Stockinette, 2-ply               | 35 x 120  | 1    | 583311   |
| OR tape, film                    | 11 x 50   | 2    | 591150   |
| Split sheet, U=7.5 x 100 cm      | 200 x 260 | 1    | 528805   |
| Adhesive drape                   | 175 x 300 | 1    | 538808   |



### Hip Drape T-Form **518890-9**

| Description   | Size/cm       |
|---|---------------|
| Hip drape T-form, with Ø 20 cm elastic aperture with adhesive zone and 2 integral pouches 80 x 100 cm | 280/225 x 390 |

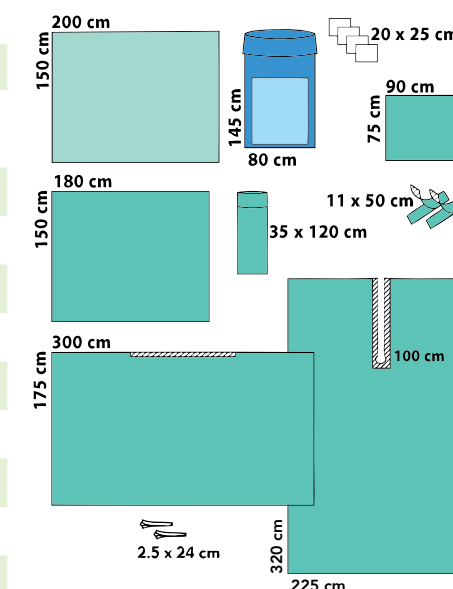
Only available as a non-sterile pack component



### Hip Pack, Super S- special production **564174**

PU: 5 packs

| Cont. and sequence               | Size/cm    | Qty. | Ref. no. |
|----------------------------------|------------|------|----------|
| Plain drape – table cover (wrap) | 150 x 200  | 1    | 808869   |
| Mayo stand cover super           | 80 x 145   | 1    | 547718   |
| Hand towels                      | 20 x 25    | 4    | -/-      |
| Plain drape, 2-ply               | 75 x 90    | 1    | 508824   |
| Plain drape                      | 150 x 180  | 1    | 508801   |
| Stockinette, 2-ply               | 35 x 120   | 1    | 583311   |
| OR tapr, elastic                 | 11 x 50    | 2    | 591151   |
| Split sheet, U = 7,5 x 100 cm    | 225 x 320  | 1    | 528808   |
| Adhesive drape                   | 175 x 300  | 1    | 538808   |
| Velcro strip                     | 2/2.5 x 25 | 1    | 592525   |

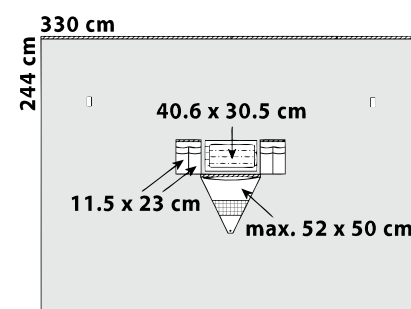
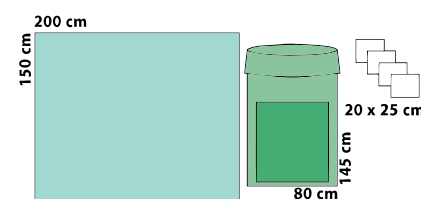


## Vertical Isolation Drapes and Packs

### Vertical Isolation Drape Pack 1 **563696**

PU: 20 packs

| Cont. and sequence               | Size/cm   | Qty. | Ref. no. |
|----------------------------------|-----------|------|----------|
| Plain drape – table cover (wrap) | 150 x 200 | 1    | 808869   |
| Mayo stand cover                 | 80 x 145  | 1    | 547714   |
| Hand towels                      | 25 x 20   | 4    | -/-      |
| Vertical isolation drape         | 330 x 244 | 1    | 556610   |



### Vertical Isolation Drape **556610**

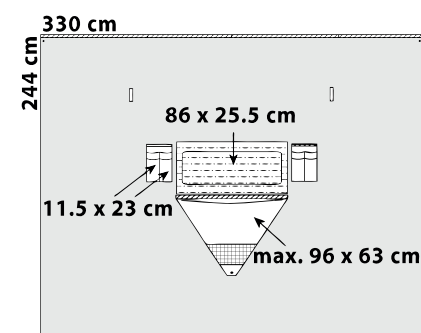
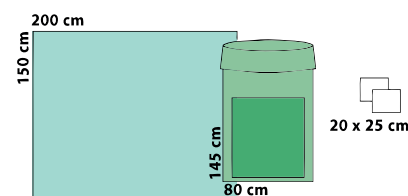
PU: 10 drapes

| Description   | Size/cm   |
|---|-----------|
| Vertical isolation drape with 40.6 x 30.5 cm aperture with integral incision film; 2 diathermy pouches and velcro strips; fluid collection pouch with sieve and drainage port; 1.3 x 330 cm adhesive zone | 330 x 244 |

### Vertical Isolation Drape Pack 2 **563675**

PU: 7 packs

| Cont. and sequence               | Size/cm   | Qty. | Ref. no. |
|----------------------------------|-----------|------|----------|
| Plain drape – table cover (wrap) | 150 x 200 | 1    | 808869   |
| Mayo stand cover                 | 80 x 145  | 1    | 547714   |
| Hand towels                      | 25 x 20   | 4    | -/-      |
| Vertical isolation drape         | 330 x 244 | 1    | 556611   |



### Vertical Isolation Drape **556611**

PU: 18 drapes

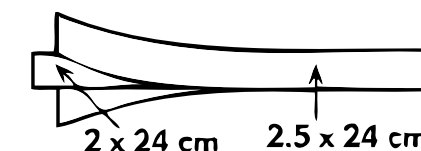
| Description   | Size/cm   |
|---|-----------|
| Vertical isolation drape with 86.4 x 25.4 cm aperture with integral incision film; 2 diathermy pouches and velcro strips; fluid collection pouch with sieve and drainage port; 1.3 x 330 cm adhesive zone | 330 x 244 |

## Supplementary Products

### Velcro Strip **592525**

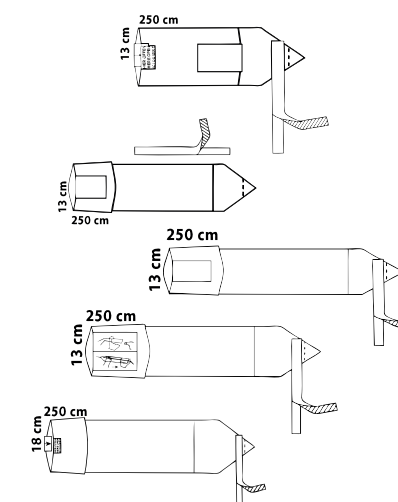
Dispenser, PU: 600 pcs.

| Description     | Size/cm    | Qty./disp. | Ref. no. |
|-----------------|------------|------------|----------|
| OP-velcro strip | 2/2.5 x 24 | 100        | 592525   |



### Camera Tube Covers dispenser

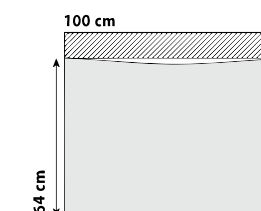
| Description   | Size/cm  | Qty./disp. | Ref. no. |
|---|----------|------------|----------|
| Camera tube cover, reverse<br>PU: 210 covers        | 13 x 250 | 35         | 581322   |
| Camera tube cover, telescopically<br>PU: 192 covers | 13 x 250 | 32         | 581323   |
| Camera tube cover, telescopically<br>PU: 192 covers | 13 x 250 | 32         | 581324   |
| Camera tube cover, telescopically<br>PU: 150 covers | 13 x 250 | 25         | 581325   |
| Camera tube cover, telescopically<br>PU: 90 covers  | 18 x 250 | 30         | 581825   |



### Fluid Collection Pouches

Dispenser, PU: 75 pouches

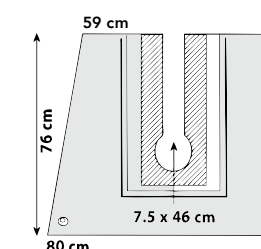
| Description        | Size/cm  | Qty./disp. | Ref. no. |
|--------------------|----------|------------|----------|
| For hip procedures | 64 x 100 | 25         | 588010   |



### Fluid Collection Pouches for Arthroscopies

Dispenser, PU: 50 pouches

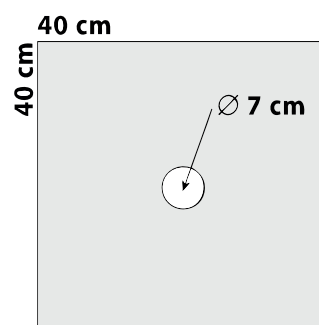
| Description  | Size/cm    | Qty./disp. | Ref. no. |
|--|------------|------------|----------|
| Shoulder, with U = 7.5 x 46 cm adhesive and 2 drainage ports | 59/80 x 76 | 25         | 589978   |



## Supplementary Products

### Elastic Inlets, non-sterile

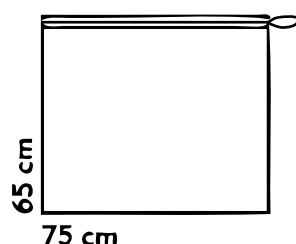
| Description                                | Size/cm | Qty. | Ref. no. |
|--|---------|------|----------|
| Aperture Ø 7 cm, central<br>PU: 1.000 pcs. | 25 x 40 | 100  | 582540-9 |
| Aperture Ø 7 cm, central<br>PU: 500 pcs.   | 40 x 40 | 50   | 584040-9 |



### Image Intensifier Covers

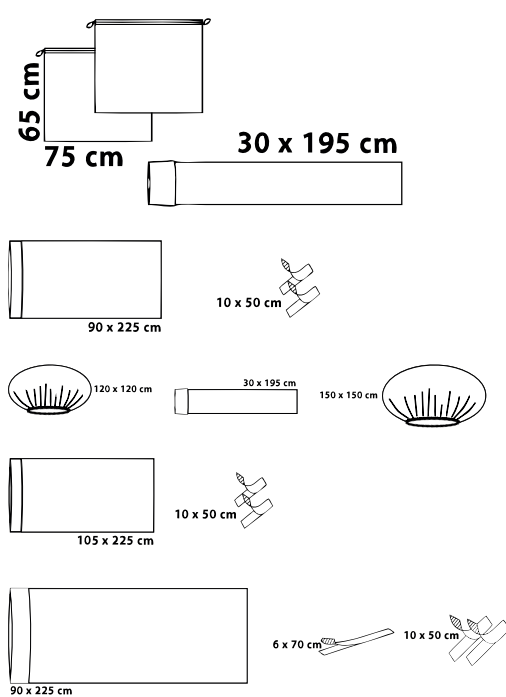
Dispenser, PU: 105 pcs.

| Description     | Size/cm | Qty./disp. | Ref. no.      |
|-----------------|---------|------------|---------------|
| with drawstring | 75 x 65 | 35         | 587565 delete |



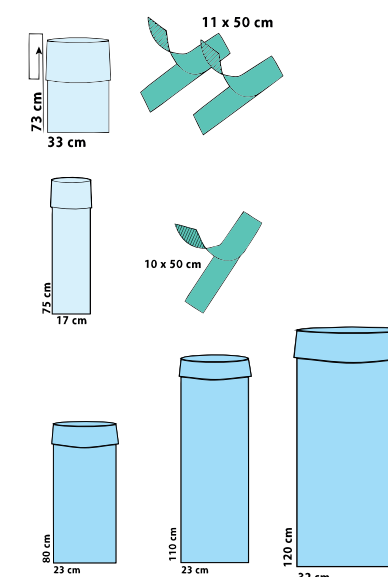
### Image Intensifier Covers and Packs

| Description  | Qty./disp.                  | Ref. no. |
|--|-----------------------------|----------|
| Pack 1, for Philips equipment, 3-part<br>PU: 54 packs                    | 18                          | 565803   |
| Pack 2, for Siemens equipment,<br>1-part with 2 tapes<br>PU: 30 packs    | 10                          | 565804   |
| Pack 3, for Philips BV29 equipment, 3-part<br>PU: 24 packs               | 24                          | 565805   |
| Pack 4, for Siemens ISO-C,<br>1-part with 2 OR tapes<br>PU: 50 packs     | 50                          | 565851   |
| Pack 5, for Siemens equipment,<br>1-part with 3 OR tapes<br>PU: 30 packs | S- special production<br>10 | 565856   |



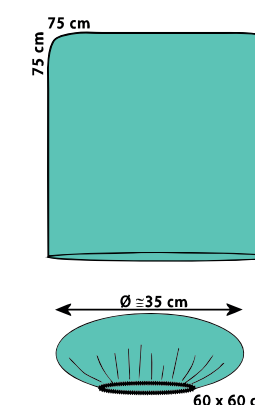
### Stockinettes dispenser

| Description                                   | Size/cm  | Qty./disp. | Ref. no. |
|---|----------|------------|----------|
| 2-ply + 2 film tapes<br>PU: 120 stockinettes  | 35 x 73  | 40         | 583355   |
| 2-ply + 2 film tapes<br>PU: 75 stockinettes   | 35 x 120 | 25         | 583311   |
| 2-ply + special tapes<br>PU: 180 stockinettes | 17 x 75  | 60         | 588827   |
| US model<br>PU: 150 stockinettes              | 23 x 80  | 25         | 580001   |
| US model<br>PU: 90 stockinettes               | 23 x 110 | 15         | 580002   |
| US model<br>PU: 51 stockinettes               | 32 x 120 | 17         | 580003   |



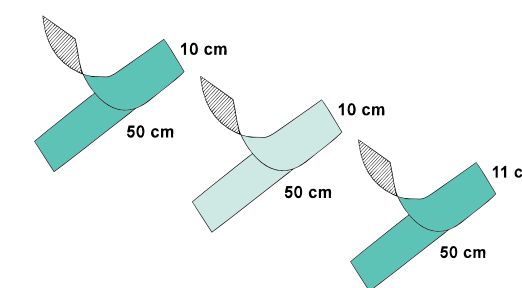
### Stool Covers dispenser

| Description   | Size/cm | Qty./disp. | Ref. no. |
|---|---------|------------|----------|
| Mediwell super, 2-ply<br>PU: 90 covers                | 75 x 75 | 15         | 588875   |
| Mediwell super,<br>2-ply elastified<br>PU: 210 covers | 60 x 60 | 35         | 588860   |



### OR Tapes dispenser

| Description                          | Size/cm | Qty./disp. | Ref. no. |
|--------------------------------------|---------|------------|----------|
| non-woven, standard<br>PU: 780 tapes | 10 x 50 | 130        | 591050   |
| non-woven, elastic<br>PU: 750 tapes  | 10 x 50 | 125        | 591151   |
| film<br>PU: 660 tapes                | 11 x 50 | 110        | 591150   |



# Urology



Indication adapted solutions for urology.

A wide product range is available in different varieties and material qualities for transurethral interventions up to operations with DaVinci robots or other MIC methods.



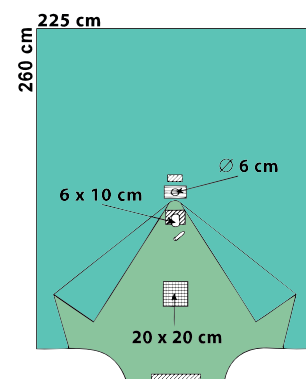


## Urology Drapes

### TUR Drape with leggings and sieve 558882

PU: 16 drapes

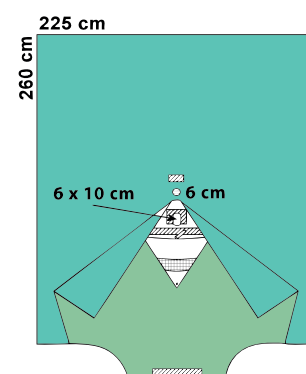
| Description   | Size/cm   |
|---|-----------|
| TUR drape with 6 x 10 cm aperture, adhesive, with sieve, finger cot and Ø 6 cm suprapubic aperture with incision film | 225 x 260 |



### TUR Drape with leggings and fluid collection pouch 558892

PU: 12 drapes

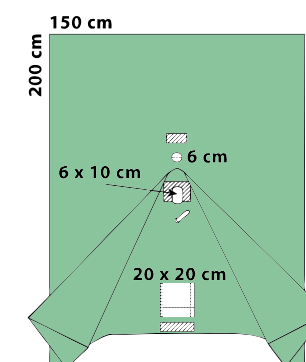
| Description   | Size/cm   |
|---|-----------|
| TUR drape with 6 x 10 cm adhesive aperture; with fluid collection pouch with sieve, finger cot and drainage port; Ø 6 cm suprapubic aperture with incision film | 225 x 260 |



### TUR Drape "small" with leggings and sieve 558862

PU: 30 drapes

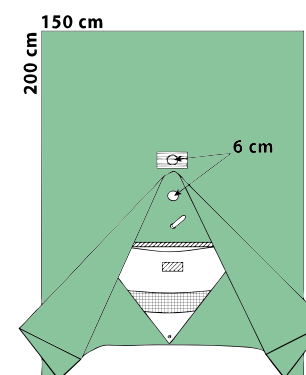
| Description   | Size/cm   |
|---|-----------|
| TUR drape, 2-ply, with 6 x 10 cm aperture, adhesive, with sieve, finger cot and suprapubic aperture Ø 6 cm with incision film | 150 x 200 |



### TUR Drape "small" with leggings and fluid collection pouch 559015-9

| Description   | Size/cm   |
|---|-----------|
| TUR drape 2-ply, with Ø 6 cm non-adhesive aperture; with finger cot, large fluid collection pouch with sieve and drainage port, Ø 6 cm suprapubic aperture with incision film | 150 x 200 |

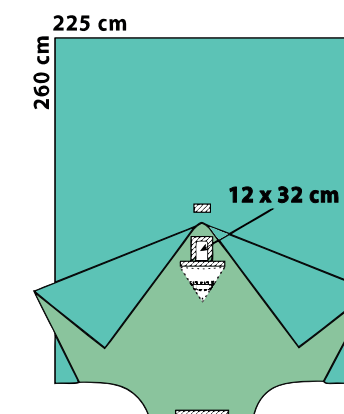
Only available as a non-sterile pack component



### GYN-TVT Drape with leggings 559050-9

| Description   | Size/cm   |
|---|-----------|
| GYN-TVT drape, 12/13 x 32 cm aperture, adhesive, with fluid collection pouches with sieve and drainage port | 225 x 260 |

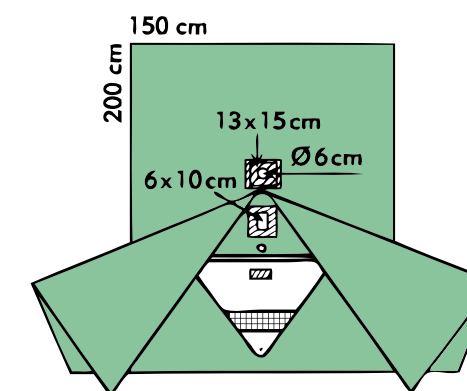
Only available as a non-sterile pack component



### Universal Urology Drape 559086-9

| Description  | Size/cm   |
|--|-----------|
| Urology drape 2-ply, with 6 x 10 cm aperture, adhesive, with finger cot, fluid collection sieve and drainage port, suprapubic aperture 15 x 13 cm with fenestrated incision film | 150 x 200 |

Only available as a non-sterile pack component



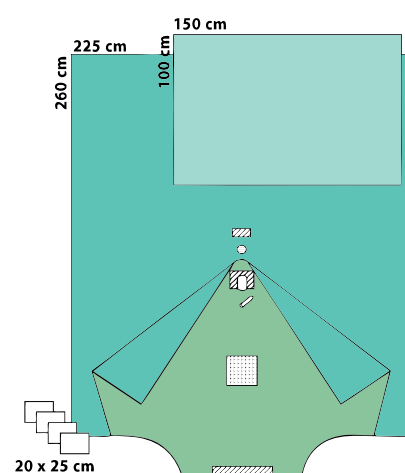
## Urology Packs

### TUR Pack, standard

**561202**

PU: 14 packs

| Cont. and sequence   | Size/cm   | Qty. | Ref. no. |
|--|-----------|------|----------|
| Plain drape – table cover (wrap)   | 100 x 150 | 1    | 808823   |
| Hand towels  | 20 x 25   | 4    | -/-      |
| TUR drape with 6 x 10 cm adhesive aperture; with sieve, finger cot and Ø 6 cm suprapubic aperture with incision film | 225 x 260 | 1    | 558882   |

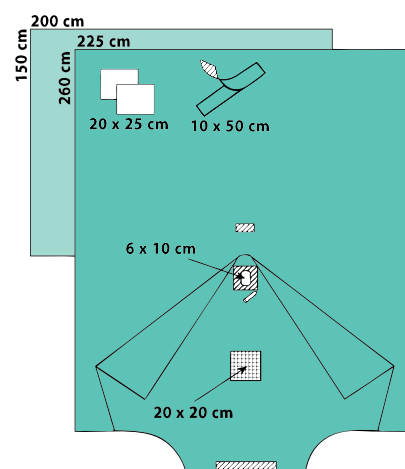


### TUR Pack 2

**564257**

PU: 14 packs

| Cont. and sequence  | Size/cm   | Qty. | Ref. no. |
|---|-----------|------|----------|
| Plain drape – table cover (wrap)                                      | 150 x 200 | 1    | 808869   |
| Hand towels   | 20 x 25   | 2    | -/-      |
| OR tape   | 10 x 50   | 1    | 591050   |
| TUR drape with 6 x 10 cm adhesive aperture; with sieve and finger cot | 225 x 260 | 1    | 559011   |



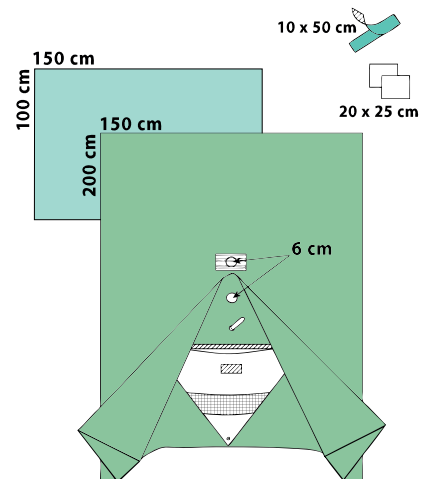
not in the print catalogue

### TUR Pack with fluid collection pouch

**564226**

PU: 20 packs

| Cont. and sequence  | Size/cm   | Qty. | Ref. no. |
|---|-----------|------|----------|
| Plain drape – table cover (wrap)  | 100 x 150 | 1    | 808823   |
| Hand towels   | 20 x 25   | 2    | -/-      |
| OR tape   | 10 x 50   | 1    | 591050   |
| TUR drape 2-ply, with Ø 6 cm non-adhesive aperture; with finger cot, large fluid collection pouch with sieve and drainage port, Ø 6 cm suprapubic aperture with incision film | 150 x 200 | 1    | 559015   |

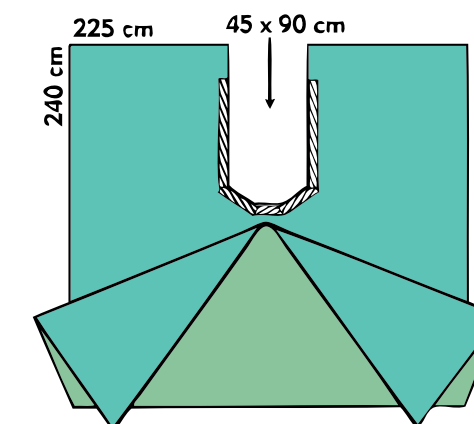


## Split Sheets/DaVinci Drape

### Split Sheet with leggings

**528876-9**

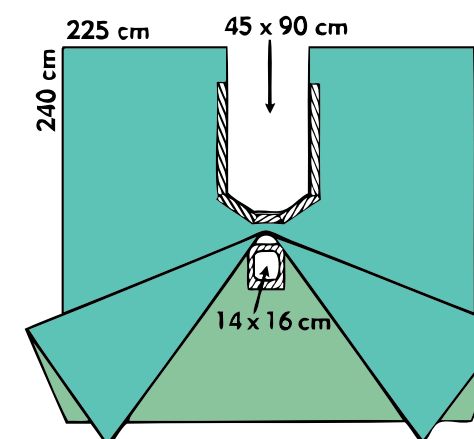
| Description   | Size/cm   |
|---|-----------|
| Split sheet with U-slit 45 x 90 cm, adhesive with leggings                              | 225 x 240 |
| Only available as a non-sterile pack component  |           |
| In combination with an adhesive drape it is possible to create a variable incision area |           |



### Split Sheet with rectal aperture and leggings

**528877-9**

| Description   | Size/cm   |
|---|-----------|
| Split sheet with U-slit 45 x 90 cm, adhesive with leggings and rectal aperture 14 x 16 cm | 225 x 240 |
| Only available as a non-sterile pack component  |           |
| In combination with an adhesive drape it is possible to create a variable incision area   |           |

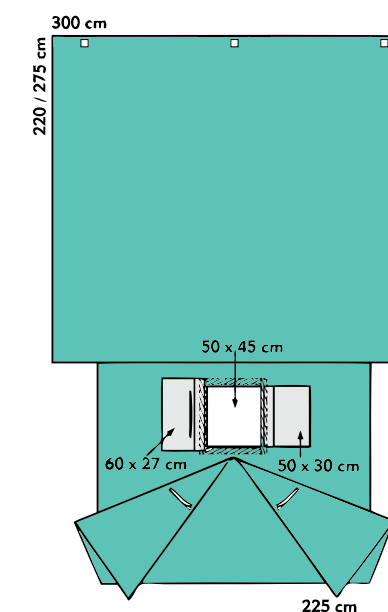


### DaVinci Drape, T-Form

**558874-9**

| Description   | Size/cm       |
|---|---------------|
| T-form, OR aperture 45 x 50 cm, adhesive, with leggings, MIS diathermy pouch 50 x 30 cm, diathermy pouch 60 x 27 cm and 2 velcro strips | 300/225 x 495 |
| Only available as a non-sterile pack component  |               |

For procedures with DaVinci robot or other MIS methods.

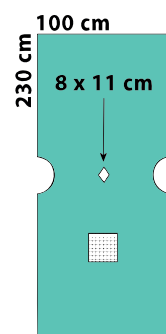


## Small Drapes and Packs

### TUR Drape **518841**

Dispenser, PU: 45 drapes

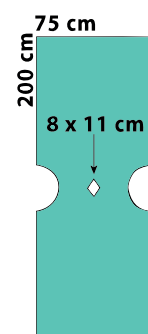
| Description   | Size/cm   | Qty./disp. |
|---|-----------|------------|
| TUR drape, 2-ply, $\diamond$ 8 x 11 cm non-adhesive aperture, decentral; with sieve | 100 x 230 | 15         |



### CYST Drape **518842**

Dispenser, PU: 66 drapes

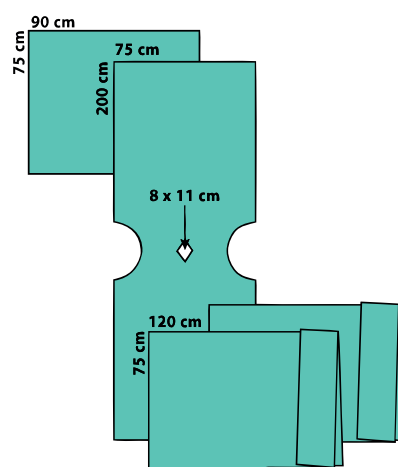
| Description  | Size/cm  | Qty./disp. |
|--|----------|------------|
| CYST drape, 2-ply, $\diamond$ 8 x 11 cm non-adhesive aperture, central | 75 x 200 | 22         |



### CYST Pack **561204**

PU: 20 packs

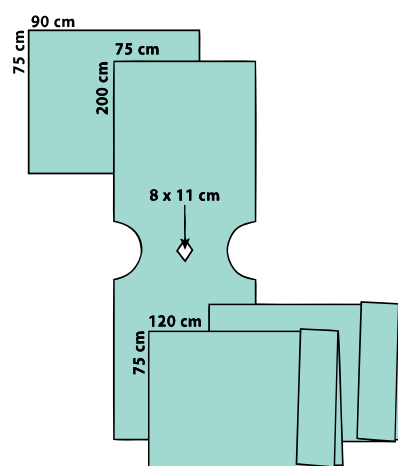
| Cont. and sequence                               | Size/cm  | Qty. | Ref. no. |
|--|----------|------|----------|
| Plain drape, 2-ply                               | 75 x 90  | 1    | 508824   |
| CYST drape, 2-ply, $\diamond$ 8 x 11 cm aperture | 75 x 200 | 1    | 518842   |
| Leggings, 2-ply                                  | 75 x 120 | 2    | 588812   |



### ~~CYST Pack, aquamarine~~ delete **861204**

PU: 20 packs

| Cont. and sequence                               | Size/cm  | Qty. | Ref. no. |
|--|----------|------|----------|
| Plain drape, 2-ply                               | 75 x 90  | 1    | 808824   |
| CYST drape, 2-ply, $\diamond$ 8 x 11 cm aperture | 75 x 200 | 1    | 818842   |
| Leggings, 2-ply                                  | 75 x 120 | 2    | 888812   |

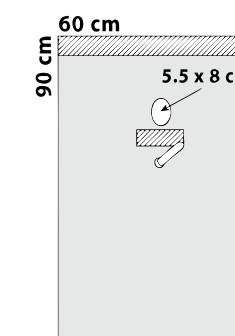


## Supplementary Products

### Rectal Shield **516601**

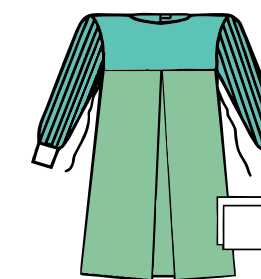
Dispenser, PU: 228 drapes

| Description                                      | Size/cm | Qty./disp. |
|--|---------|------------|
| Rectal shield with finger cot and adhesive zones | 60 x 90 | 38         |



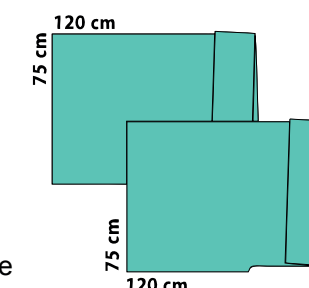
### TUR Gown

| Description         | Length/cm  | PU. | Ref. no. |
|---------------------|------------|-----|----------|
| Non-woven yoke area | L/XL = 140 | 26  | 464455   |
| Non-woven yoke area | XL = 150   | 26  | 464428   |



### Leggings dispenser

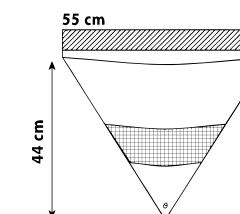
| Description                                 | Length/cm | Qty./disp. | Ref. no.                               |
|---|-----------|------------|--|
| Mediwell super 2-ply<br>PU: 60 pairs        | 50 x 110  | 10 pairs   | 588811                                 |
| Mediwell super 2-ply<br>PU: 36 pairs        | 75 x 120  | 12 pairs   | 588812                                 |
| <del>aquamarine 2-ply</del><br>PU: 30 pairs | 75 x 120  | 10 pairs   | 888812 <input type="checkbox"/> delete |



### Fluid Collection Pouch, adhesive **589901**

Dispenser, PU 50 pouches

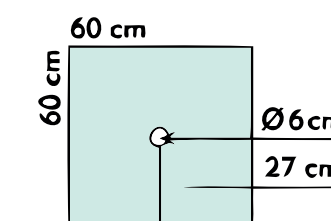
| Description                  | Length/cm | Qty./disp. |
|------------------------------|-----------|------------|
| with sieve and drainage port | 55 x 50   | 25         |



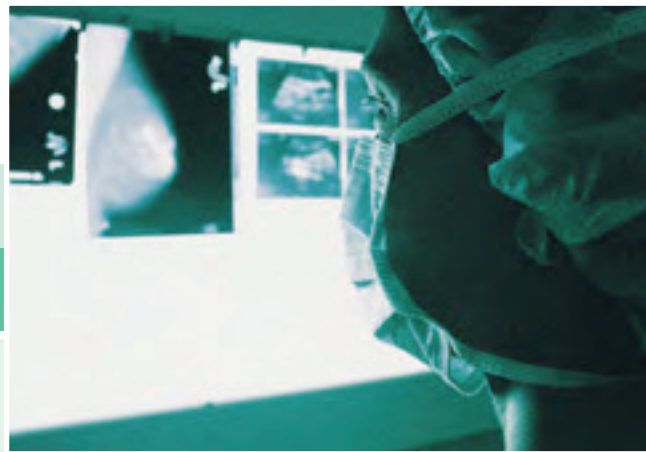
### Split Aperture Drape **520057-9**

| Description  | Length/cm |
|--|-----------|
| Split aperture drape Mediwell 2-ply aperture $\varnothing$ 6 cm, central, slit 27 cm | 60 x 60   |

Only available as a non-sterile pack component



# Gynaecology



For the special requirements in gynaecology our product range includes a selection of drapes and packs for vaginal and abdominal interventions. Our C-section drapes are especially adapted to the anatomy of expectant mothers and are suitable for various positions.

Different drape variations are available for outpatient interventions, as well as for laparoscopically assisted vaginal hysterectomies.

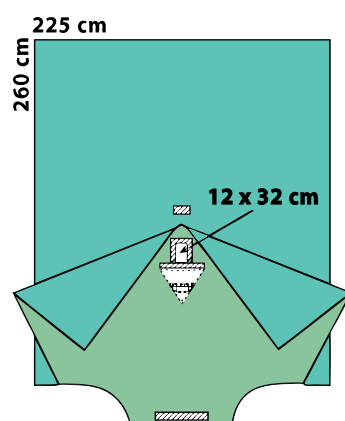




## GYN Drape and Pack

### GYN/TVT Drape with leggings **559050-9**

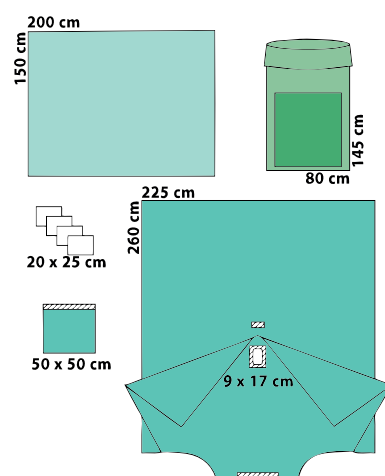
| Description   | Size/cm   |
|---|-----------|
| GYN/TVT drape, 12/13 x 32 cm aperture, adhesive, with fluid collection pouch with sieve and drainage port | 225 x 260 |
| Only available as a non-sterile pack component  |           |



### GYN Pack, standard **561207**

PU: 12 packs

| Cont. and sequence                                    | Size/cm   | Qty. | Ref. no. |
|---|-----------|------|----------|
| Plain drape – table cover (wrap)                      | 150 x 200 | 1    | 808869   |
| Mayo stand cover                                      | 80 x 145  | 1    | 547714   |
| Hand towels   | 20 x 25   | 4    | -/-      |
| Adhesive drape, 2-ply                                 | 50 x 50   | 1    | 538822   |
| GYN drape with leggings, 9 x 17 cm aperture, adhesive | 225 x 260 | 1    | 558881   |

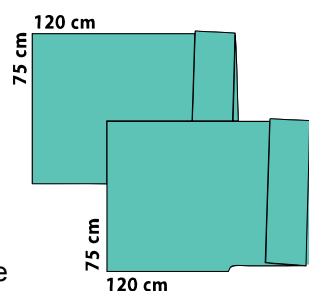


### Leggings dispenser

not in the print catalogue

| Description                                 | Length/cm | Qty./disp. | Ref. no. |
|---|-----------|------------|----------|
| Mediwell super 2-ply<br>PU: 60 pairs        | 50 x 110  | 10 pairs   | 588811   |
| Mediwell super 2-ply<br>PU: 36 pairs        | 75 x 120  | 12 pairs   | 588812   |
| <del>aquamarine 2-ply</del><br>PU: 30 pairs | 75 x 120  | 10 pairs   | 888812   |

✗ delete



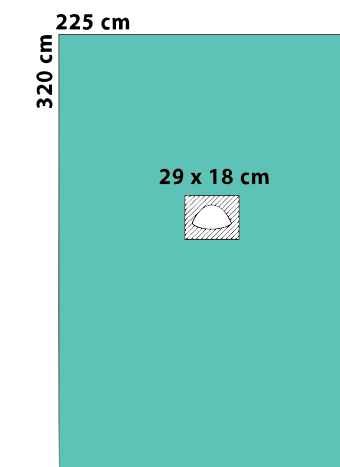
## Pfannenstiel Drape and Pack

### Pfannenstiel Drape **558807**

S- special production

PU: 14 drapes

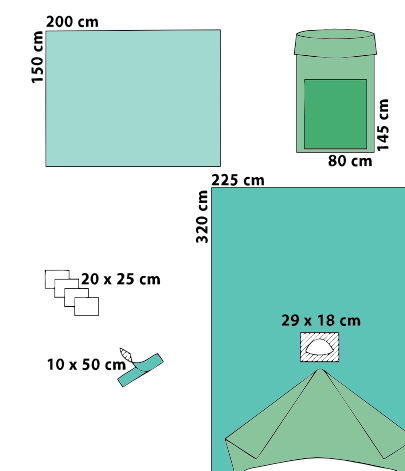
| Description                                       | Size/cm   |
|---|-----------|
| Pfannenstiel drape, 18 x 29 cm aperture, adhesive | 225 x 320 |



### Pfannenstiel Pack, standard **561208**

PU: 8 packs

| Cont. and sequence  | Size/cm   | Qty. | Ref. no. |
|---|-----------|------|----------|
| Plain drape – table cover (wrap)                                | 150 x 200 | 1    | 808869   |
| Mayo stand cover  | 80 x 145  | 1    | 547714   |
| Hand towels   | 20 x 25   | 4    | -/-      |
| OR tape   | 10 x 50   | 1    | 591050   |
| Pfannenstiel drape with leggings, 18 x 29 cm aperture, adhesive | 225 x 320 | 1    | 558883   |

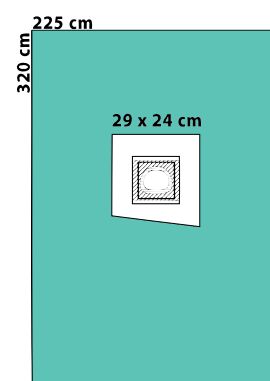


## C-Section Drapes and Pack

### C-Section Drape **558813**

PU: 12 drapes

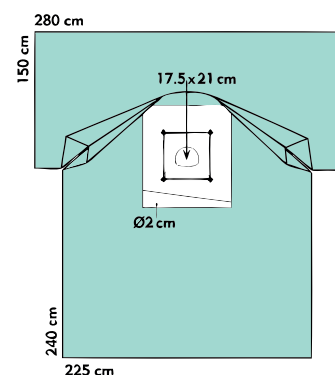
| Description   | Size/cm   |
|---|-----------|
| C-section drape with adhesive 29 x 24 cm aperture; with 360° fluid collection pouch with aperture incision film and drainage port | 225 x 320 |



### ~~C-Section Drape T-Form~~ delete **859122-9** aquamarine

| Description  | Size/cm       |
|--|---------------|
| T-form, adhesive 37 x 37 cm aperture; with 360° fluid collection pouch with 17.5 x 21 cm aperture incision film and integral cable/tube holder | 280/225 x 300 |

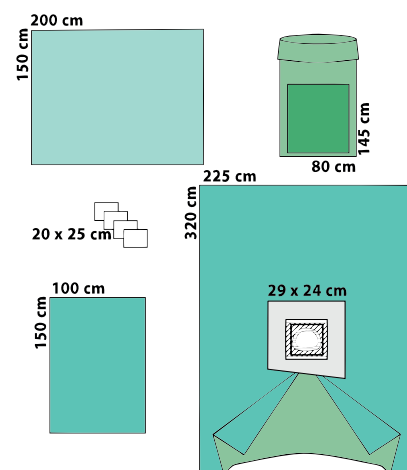
Only available as a non-sterile pack component



### C-Section Pack, standard **561206**

PU: 7 packs

| Cont. and sequence   | Size/cm   | Qty. | Ref. no. |
|--|-----------|------|----------|
| Plain drape – table cover (wrap)   | 150 x 200 | 1    | 808869   |
| Mayo stand cover   | 80 x 145  | 1    | 547714   |
| Hand towels  | 20 x 25   | 4    | -/-      |
| Sectio drape with leggings, with 24 x 29 cm aperture, adhesive, with 360° fluid collection pouch with aperture incision film and drainage port | 225 x 320 | 1    | 558893   |
| Baby sheet, 2-ply  | 100 x 150 | 1    | 508823   |



### C-Section Drape with leggings **558893**

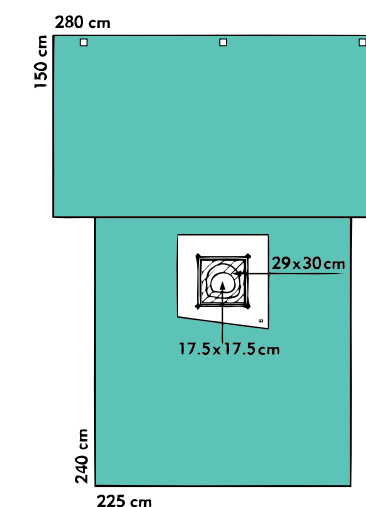
PU: 10 drapes

| Description  | Size/cm   |
|--|-----------|
| C-section drape with leggings, 29 x 24 cm aperture, adhesive; with 360° fluid collection pouch with aperture incision film and drainage port | 225 x 320 |

### C-Section Drape T-Form **559057-9**

| Description  | Size/cm       |
|--|---------------|
| C-section drape in T-form, anaesthesia part with double film thickness, 3 integral adhesive strips to fix; aperture 29 x 30 cm, fluid collection pouch with aperture incision film and drainage port | 280/225 x 390 |

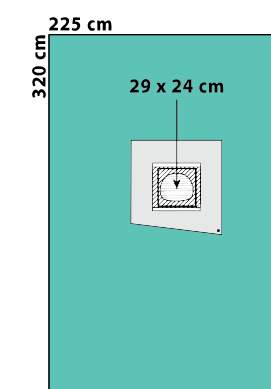
Only available as a non-sterile pack component



### C-Section Drape **558942-9**

| Description   | Size/cm   |
|---|-----------|
| C-section drape with adhesive 29 x 24 cm aperture, with 360° fluid collection pouch incision film and drainage port | 225 x 320 |

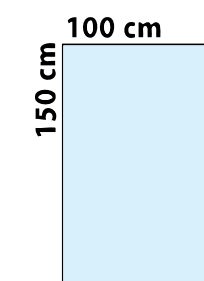
Only available as a non-sterile pack component



### Baby Sheet Mediwell soft **585764**

Dispenser, PU: 78 drapes

| Description | Size/cm   | Qty./disp. |
|-------------|-----------|------------|
| Plain drape | 100 x 150 | 26         |



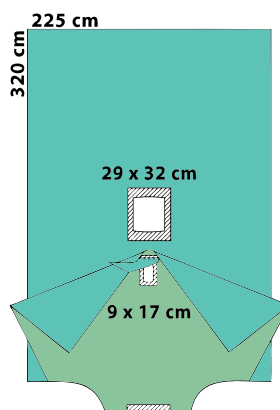
## GYN/LAP Drapes

### GYN/LAP Drape

**558887**

PU: 5 drapes

| Description  | Size/cm   |
|--|-----------|
| GYN/LAP drape with 29 x 32 cm adhesive aperture; with additional 9 x 17 cm vaginal aperture, adhesive, with protective curtain | 225 x 320 |

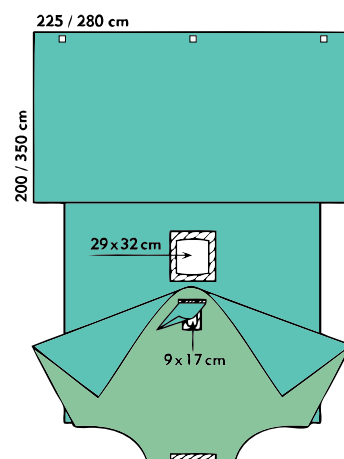


### GYN/LAP Drape T-Form

**559062-9**

| Description  | Size/cm      |
|--|--------------|
| GYN/LAP-drape T-form, anaesthesia part with double film thickness, 3 integral adhesive strips to fix; aperture 29 x 32 cm, adhesive, with additional vaginal aperture 9 x 17 cm, adhesive, with protective curtain | 280/225x 350 |

Only available as a non-sterile pack component



### GYN/LAP Pack not in the print catalogue

**561216**

PU: 5 packs

| Cont. and sequence                    | Size/cm    | Qty. | Ref. no. |
|---------------------------------------|------------|------|----------|
| Plain drape – table cover (wrap)      | 150 x 200  | 1    | 808869   |
| Mayo stand cover                      | 80 x 145   | 1    | 547714   |
| Hand towels                           | 20 x 25    | 2    | -/-      |
| Velcro strip                          | 2/2.5 x 25 | 1    | 592525   |
| GYN/LAP drape (description see above) | 225 x 320  | 1    | 559062   |

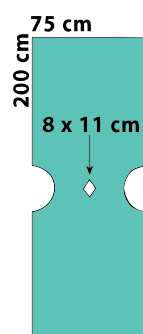
## Small Drapes

### CYST Drape

**518842**

Dispenser, PU: 66 drapes

| Description   | Size/cm  | Qty./disp. |
|---|----------|------------|
| CYST drape, 2-ply, $\diamond$ 8 x 11 cm aperture, central | 75 x 200 | 22         |



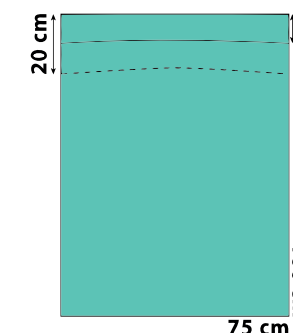
## Small Drapes

### Under Buttocks Drape

**508887**

Dispenser, PU: 90 drapes

| Description                                    | Size/cm  | Qty./disp. |
|--|----------|------------|
| Under buttocks drape, 2-ply with 20 cm turn-up | 75 x 100 | 30         |

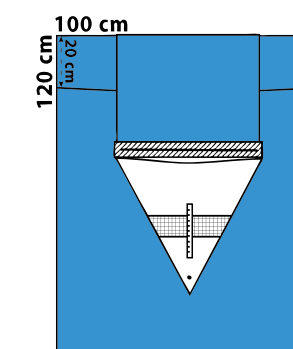


### Under Buttocks Drape

**506667**

Dispenser, PU: 45 drapes

| Description   | Size/cm   | Qty./disp. |
|---|-----------|------------|
| Under buttocks drape, Colordrape, with 20 cm turn-up, 54 x 43 cm non-woven reinforcement and fluid collection pouch with scale, sieve and drainage port | 100 x 120 | 15         |



print version, leggings included on this page

### CYST Pack

**561204**

PU: 20 packs

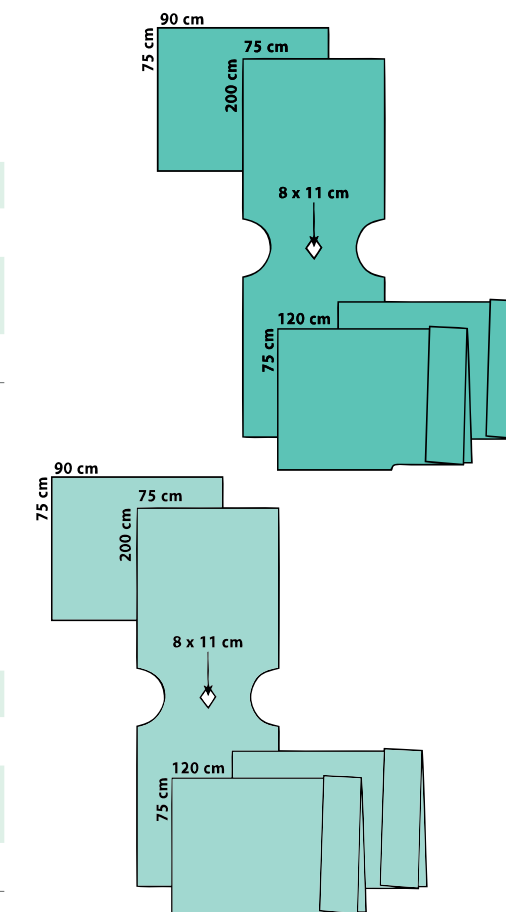
| Cont. and sequence  | Size/cm  | Qty. | Ref. no. |
|---|----------|------|----------|
| Plain drape, 2-ply  | 75 x 90  | 1    | 508824   |
| CYST drape, 2-ply, $\diamond$ 8 x 11 cm aperture, central | 75 x 200 | 1    | 518842   |
| Leggings, 2-ply   | 75 x 120 | 2    | 588812   |

### ~~CYST Pack, aquamarine~~

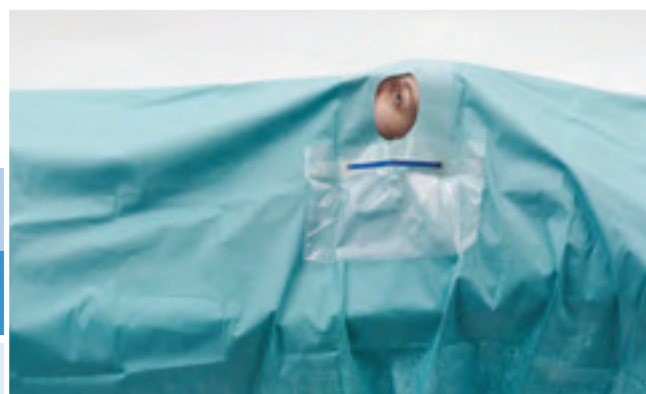
delete **861204**

PU: 20 packs

| Cont. and sequence                               | Size/cm  | Qty. | Ref. no. |
|--|----------|------|----------|
| Plain drape, 2-ply                               | 75 x 90  | 1    | 808824   |
| CYST drape, 2-ply, $\diamond$ 8 x 11 cm aperture | 75 x 200 | 1    | 818842   |
| Leggings, 2-ply                                  | 75 x 120 | 2    | 888812   |



## Neurosurgery, ENT, OMS, Ophthalmology



The innovative neurosurgery drapes have a reinforced incision area and generous fluid collection pouch allows an effective fluid management.

The turban drape can be flexibly used in face surgery. Special eye and ENT drapes offer a user-friendly solution.



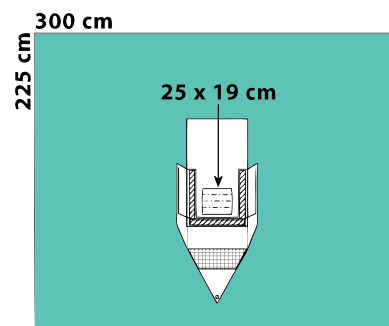


## Neurosurgery Drapes for cranial procedures

### Neurosurgery Drape, standard **558845**

PU: 14 drapes

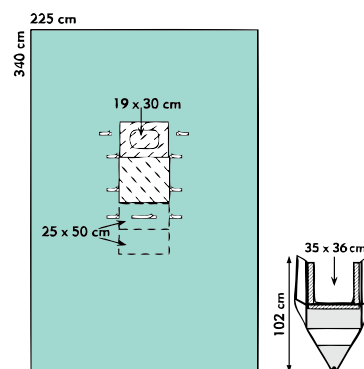
| Description  | Size/cm   |
|--|-----------|
| Neurosurgery drape, 2-ply, with 25 x 20.5 cm aperture, with integral 48 x 80 cm incision film, partially as a reinforcement with fluid collection pouch with sieve and drainage port | 300 x 225 |



### Neurosurgery Drape, aquamarine ~~859140-9~~

| Description   | Size/cm   |
|---|-----------|
| Neurosurgery drape, aquamarine 3-ply, with anti-slipping reinforcement, 30 x 19 cm aperture, with integral 50 x 80 cm incision film, partially as a reinforcement, 9 velcro strips. Separate: fluid collection pouch with sieve and drainage port | 340 x 225 |

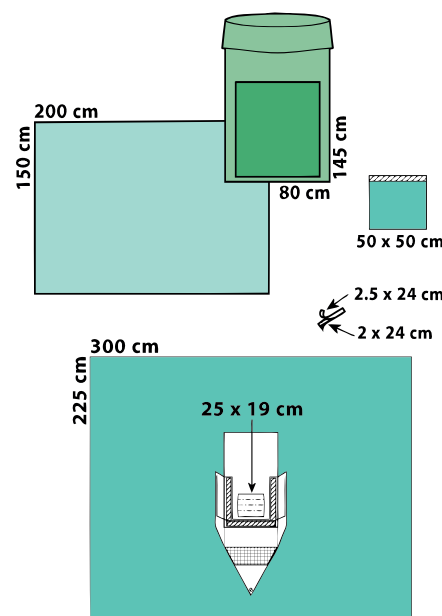
Only available as a non-sterile pack component



### Craniotomy Pack not in the print catalogue **564372**

PU: 12 packs

| Cont. and sequence   | Size/cm    | Qty. | Ref. no. |
|--|------------|------|----------|
| Plain drape – table cover (wrap)   | 150 x 200  | 1    | 808869   |
| Mayo stand cover   | 80 x 145   | 1    | 547714   |
| Adhesive drape   | 50 x 50    | 1    | 538822   |
| Velcro strip   | 2/2.5 x 25 | 1    | 592525   |
| Neurosurgery drape, 2-ply, with 25 x 20.5 cm aperture, with integral 48 x 80 cm incision film, partially as a reinforcement with fluid collection pouch with sieve and drainage port | 300 x 225  | 1    | 558845   |

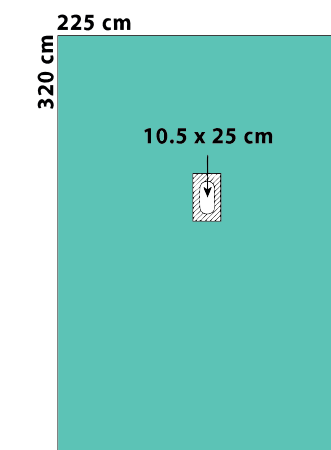


## Laminectomy Drapes for spinal procedures

### Laminectomy Drape **558808**

PU: 12 drapes

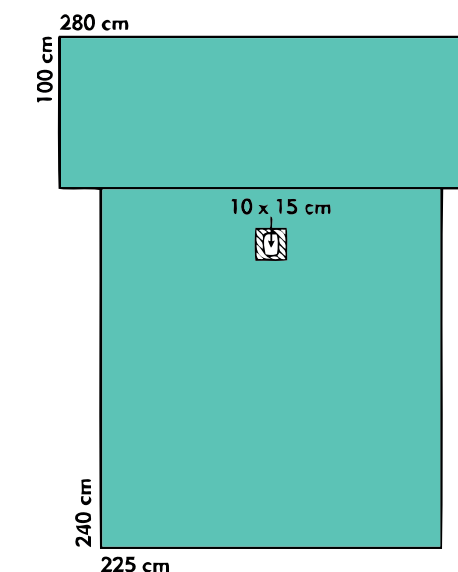
| Description   | Size/cm   |
|---|-----------|
| Laminectomy drape, 10.5 x 25 cm aperture, decentral, adhesive | 225 x 320 |



### Laminectomy Drape T-Form **559085-9**

| Description   | Size/cm       |
|---|---------------|
| Laminectomy drape, T-form, aperture 10 x 15 cm, decentral, adhesive | 280/225 x 340 |

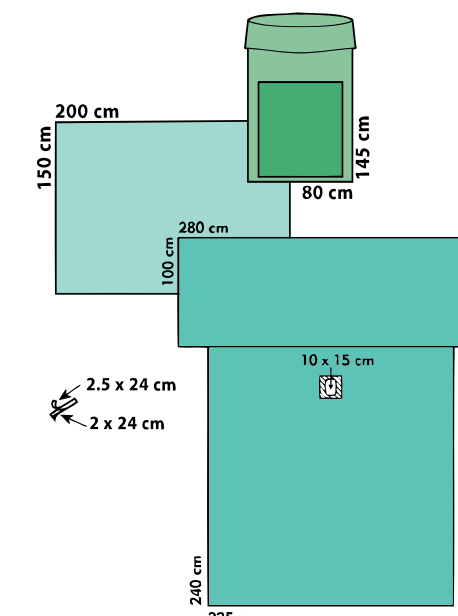
Only available as a non-sterile pack component



### Laminectomy Pack ~~563992~~

PU: 14 packs

| Cont. and sequence  | Size/cm       | Qty. | Ref. no. |
|---|---------------|------|----------|
| Plain drape – table cover (wrap)                                    | 150 x 200     | 1    | 808869   |
| Mayo stand cover  | 80 x 145      | 1    | 547714   |
| Velcro strip  | 2/2.5 x 25    | 1    | 592525   |
| Laminectomy drape, T-form, aperture 10 x 15 cm, decentral, adhesive | 280/225 x 340 | 1    | 559085   |



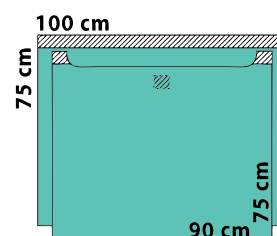
You will find further products in our separate ophthalmology brochure.

## Turban Drape

### Turban Drape **538919**

Dispenser, PU: 50 drapes

| Description                                      | Size/cm     | Qty./disp. |
|--|-------------|------------|
| Turban drape, 3-ply, 2-part, with adhesive areas | 100/90 x 75 | 50         |

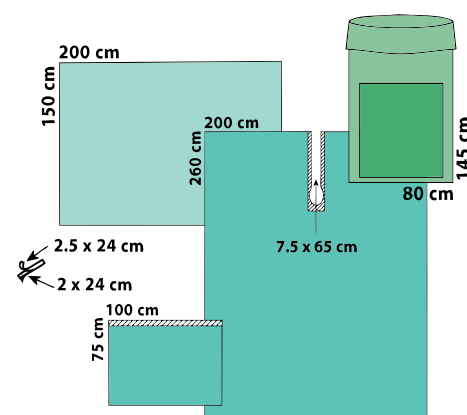


## ENT Drapes

### ENT Pack **delete 563956**

PU: 14 packs

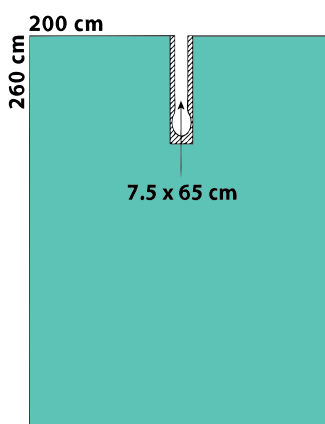
| Cont. and sequence               | Size/cm    | Qty. | Ref. no. |
|----------------------------------|------------|------|----------|
| Plain drape – table cover (wrap) | 150 x 200  | 1    | 808869   |
| Mayo stand cover                 | 80 x 145   | 1    | 547714   |
| Velcro strip                     | 2/2.5 x 25 | 1    | 592525   |
| Adhesive drape                   | 75 x 100   | 1    | 538811   |
| Split sheet U= 7,5 x 65 cm       | 200 x 260  | 1    | 528815   |



### Paediatrics/ENT Split Sheet **528815**

PU: 14 drapes

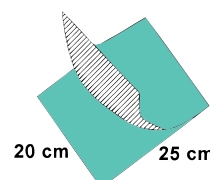
| Description   | Size/cm   |
|---|-----------|
| Split sheet with 7.5 x 65 cm U-slit and special adhesive for sensitive skin | 200 x 260 |



### OR Tape **592025**

Dispenser, PU: 420 tapes

| Description   | Size/cm | Qty./disp. |
|---|---------|------------|
| Non-woven, standard, adhesive layer impermeable to fluids | 20 x 25 | 70         |

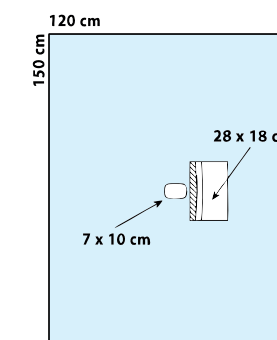


## Eye Drapes

### Eye Drape **585701**

Dispenser, PU: 60 drapes

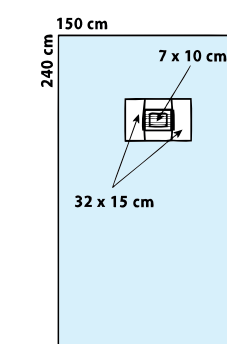
| Description   | Size/cm   | Qty./disp. |
|---|-----------|------------|
| Eye drape, Mediwell soft, with 10 x 7 cm aperture with integral incision film and fluid collection pouch with pliable metal strip | 120 x 150 | 20         |



### ~~Eye Drape~~ **delete 585703**

Dispenser, PU: 30 drapes

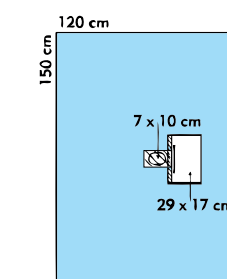
| Description   | Size/cm   | Qty./disp. |
|---|-----------|------------|
| Eye drape, Mediwell soft, with 10 x 7 cm aperture with dual fluid collection pouch with pliable metal strips and integral incision film | 150 x 240 | 10         |



### Eye Drape **585731**

Dispenser, PU: 70 drapes

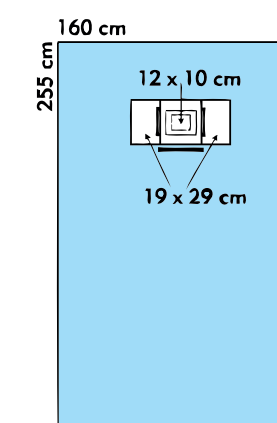
| Description  | Size/cm   | Qty./disp. |
|--|-----------|------------|
| Eye drape, Mediwell light, with 10 x 7 cm aperture, central, with integral incision film and fluid collection pouch with pliable metal strip | 120 x 150 | 35         |



### Eye Drape **555751**

Dispenser, PU: 24 drapes

| Description   | Size/cm   | Qty./disp. |
|---|-----------|------------|
| Eye drape, Mediwell light, with 12 x 10 cm aperture, with dual fluid collection pouch with pliable metal strips and 2 nose strips | 160 x 255 | 12         |



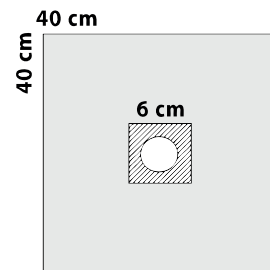
You will find further products in our separate ophthalmology brochure.

Eye Drapes

**Aperture Drape, Filmdrape 556601**

Dispenser, PU: 840 drapes

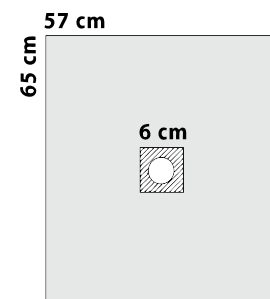
| Description               | Size/cm | Qty./disp. |
|---------------------------|---------|------------|
| Ø 6 cm aperture, adhesive | 40 x 40 | 140        |



**Aperture Drape, Filmdrape 556602**

Dispenser, PU: 480 drapes

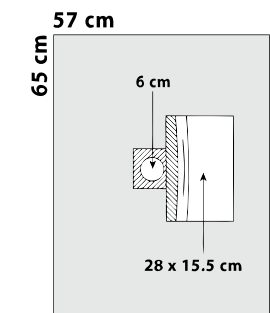
| Description               | Size/cm | Qty./disp. |
|---------------------------|---------|------------|
| Ø 6 cm aperture, adhesive | 57 x 65 | 80         |



**Eye Drape, Filmdrape 556652**

Dispenser, PU: 150 drapes

| Description   | Size/cm | Qty./disp. |
|---|---------|------------|
| Ø 6 cm aperture, adhesive, with fluid collection pouch with pliable metal strip | 57 x 65 | 50         |

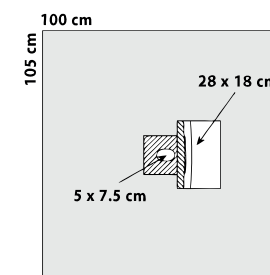


S- production on demand

**Eye Drape, Filmdrape 586601**

Dispenser, PU: 120 drapes

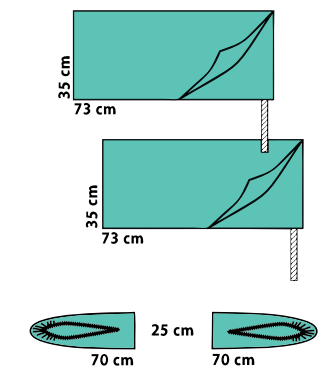
| Description   | Size/cm   | Qty./disp. |
|---|-----------|------------|
| Aperture 7.5 x 5 cm, adhesive, with fluid collection pouch with pliable metal strip | 100 x 105 | 40         |



Supplementary Products

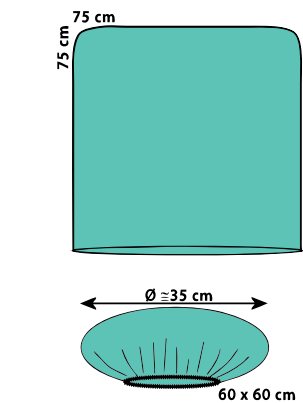
**Armrest Covers dispenser Mediwell super, 2-ply**

| Description                              | Size/cm | Qty./disp. | Ref. no. |
|--|---------|------------|----------|
| with integral tape strip<br>PU: 90 pairs | 35 x 73 | 15 pairs   | 583573   |
| elastified<br>PU: 60 pairs               | 25 x 70 | 20 pairs   | 583574   |



**Stool Cover dispenser**

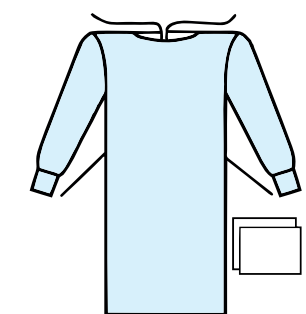
| Description  | Size/cm | Qty./disp. | Ref. no. |
|--|---------|------------|----------|
| Mediwell super, 2-ply<br>PU: 90 covers             | 75 x 75 | 15         | 588875   |
| Mediwell super, 2-ply elastified<br>PU: 210 covers | 60 x 60 | 35         | 588860   |



**Special Tie Gowns/SP for ophthalmology**

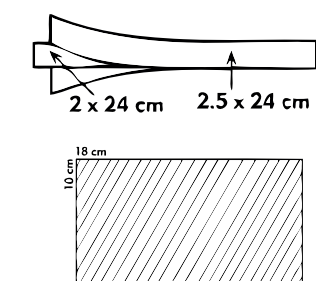
| Description | Length/cm | Ref. no.        |
|-------------|-----------|-----------------|
| L           | 130       | 464423-9        |
| L/XL        | 140       | 464462-9 delete |
| XL          | 150       | 464426-9        |

Only available as a non-sterile pack component



**Accessories dispenser**

| Description                   | Size/cm    | Qty./disp. | Ref. no. |
|-------------------------------|------------|------------|----------|
| Velcro strip<br>PU: 600 pcs.  | 2/2.5 x 24 | 100        | 592525   |
| Incision film<br>PU: 900 pcs. | 10 x 18    | 150        | 591018   |



# Paediatrics



The child as a patient: Our product range includes a paediatric line with very skin-friendly adhesive tapes for the high quality demands of paediatric surgery.

Special extremity and aperture drapes are adapted to the proportions of infants and babies. Furthermore, we offer paediatric universal packs to ensure the best possible care of small patients.



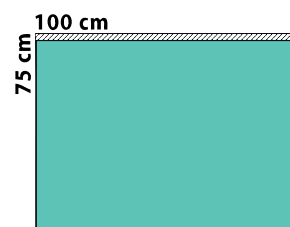


## Paediatric Drapes and Pack

### Adhesive Drapes **538914**

**Mediwell super strong**  
Dispenser, PU: 120 drapes

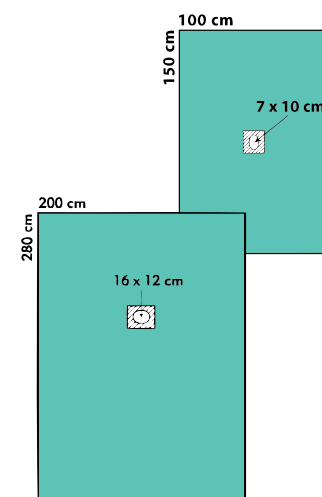
| Description                         | Size/cm  | Qty./disp. |
|-------------------------------------|----------|------------|
| with special adhesive, 2.5 x 100 cm | 75 x 100 | 40         |



### Paediatrics Aperture Drapes, adhesive

**Mediwell super or Mediwell super strong**

| Description   | Size/cm   | Qty. | Ref. no. |
|---|-----------|------|----------|
| 7 x 10 cm aperture, 2-ply<br>Dispenser, PU: 75 drapes | 100 x 150 | 25   | 558974   |
| 16 x 12 cm aperture<br>Inliner, PU: 14 drapes         | 200 x 280 | 7    | 558809   |

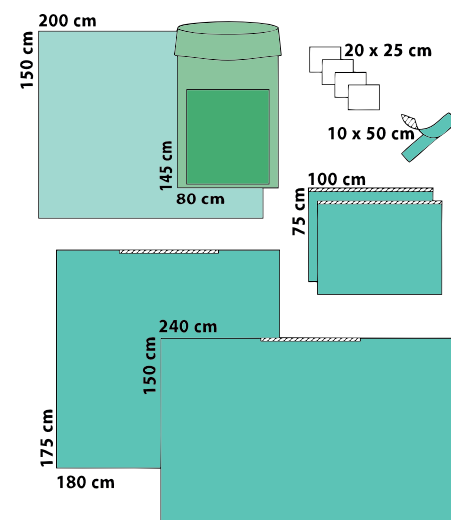


### Universal Pack, paediatrics **561007**

PU: 7 packs

| Cont. and sequence               | Size/cm   | Qty. | Ref. no. |
|----------------------------------|-----------|------|----------|
| Plain drape – table cover (wrap) | 150 x 200 | 1    | 808869   |
| Mayo stand cover                 | 80 x 145  | 1    | 547714   |
| Hand towels                      | 25 x 20   | 4    | -/-      |
| OR tape, elastic                 | 10 x 50   | 1    | 591151   |
| Side drape                       | 75 x 100  | 2    | 538914   |
| Foot drape                       | 175 x 180 | 1    | 538916   |
| Head drape                       | 150 x 240 | 1    | 538917   |

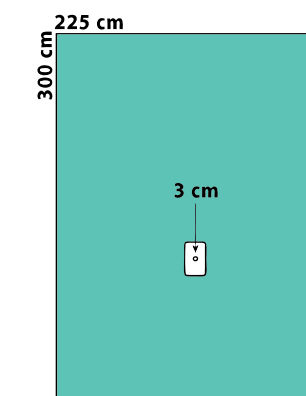
Particularity: with special adhesive for sensitive skin and 2.5 cm wide adhesive zones.



### Extremity Drape **518815**

**Mediwell super strong**  
PU: 12 drapes

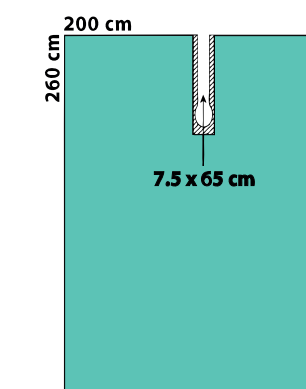
| Description  | Size/cm   |
|--|-----------|
| Hand/foot extremity drape, with Ø 3 cm elastic aperture, decentral, for hand/foot or child extremities | 225 x 300 |



### Split Sheet, paediatrics **528815**

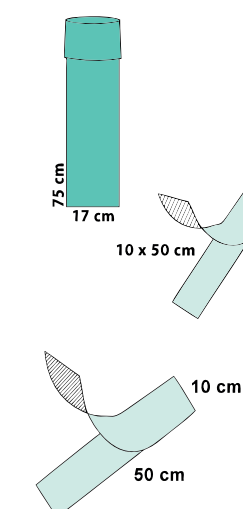
**Mediwell super strong**  
PU: 14 drapes

| Description             | Size/cm   |
|-------------------------|-----------|
| U=7.5 x 65 cm, adhesive | 200 x 260 |



### Accessories dispenser

| Description   | Size/cm | Qty./disp. | Ref. no. |
|---|---------|------------|----------|
| Child stockinette, 2-ply with OR tape<br>PU: 180 pcs. | 17 x 75 | 60         | 588827   |
| OR tape, elastic<br>PU: 750 pcs.                      | 10 x 50 | 125        | 591151   |



# Day Surgery



Full flexibility combined with highest quality standards: To fulfil the special requirements of day surgeries, we have a wide range of products including various packs and drapes, OR tape and mayo stand covers. This applies not only to general surgery: You can also count on our indication-related and user-friendly solutions in the fields of orthopaedic and traumatologic surgery as well as in gynaecology and urology.



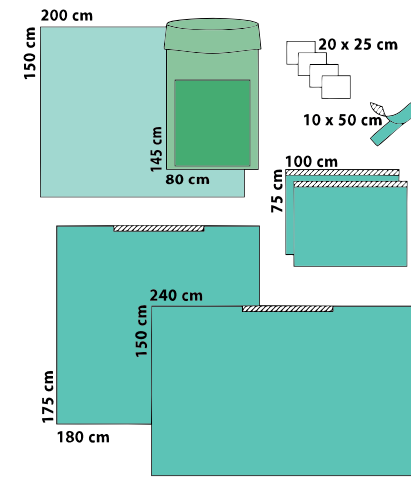
## General Surgery

### Universal Pack, standard

**561088**

PU: 7 packs

| Cont. and sequence               | Size/cm   | Qty. | Ref. no. |
|----------------------------------|-----------|------|----------|
| Plain drape – table cover (wrap) | 150 x 200 | 1    | 808869   |
| Mayo stand cover                 | 80 x 145  | 1    | 547714   |
| Hand towels                      | 25 x 20   | 4    | -/-      |
| OR tape                          | 10 x 50   | 1    | 591050   |
| Side drapes                      | 75 x 100  | 2    | 538811   |
| Foot drape                       | 175 x 180 | 1    | 538806   |
| Head drape                       | 150 x 240 | 1    | 538807   |

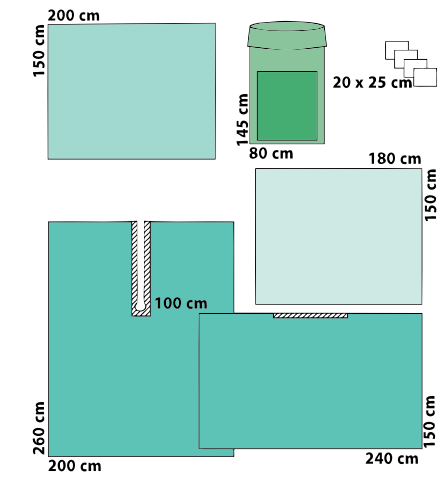


### Split Sheet Pack, standard

**561112**

PU: 7 packs

| Cont. and sequence               | Size/cm   | Qty. | Ref. no. |
|----------------------------------|-----------|------|----------|
| Plain drape – table cover (wrap) | 150 x 200 | 1    | 808869   |
| Mayo stand cover                 | 80 x 145  | 1    | 547714   |
| Hand towels                      | 25 x 20   | 4    | -/-      |
| Bottom drape, Mediwell, 3-ply    | 150 x 180 | 1    | 501518   |
| Split sheet, U=7.5 x 100 cm      | 200 x 260 | 1    | 528805   |
| Adhesive drape                   | 150 x 240 | 1    | 538807   |

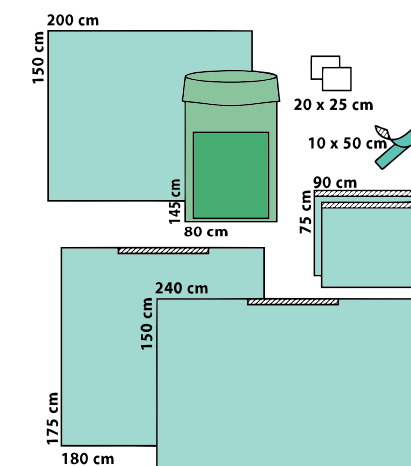


### Universal Pack, aquamarine

delete **861088**

PU: 8 packs

| Cont. and sequence               | Size/cm   | Qty. | Ref. no. |
|----------------------------------|-----------|------|----------|
| Plain drape – table cover (wrap) | 150 x 200 | 1    | 808869   |
| OR tape                          | 10 x 50   | 1    | 591050   |
| Hand towels                      | 25 x 20   | 2    | -/-      |
| Mayo stand cover                 | 80 x 145  | 1    | 547714   |
| Side drapes, 2-ply               | 75 x 90   | 2    | 838823   |
| Foot drape                       | 180 x 175 | 1    | 838806   |
| Head drape                       | 150 x 240 | 1    | 838807   |

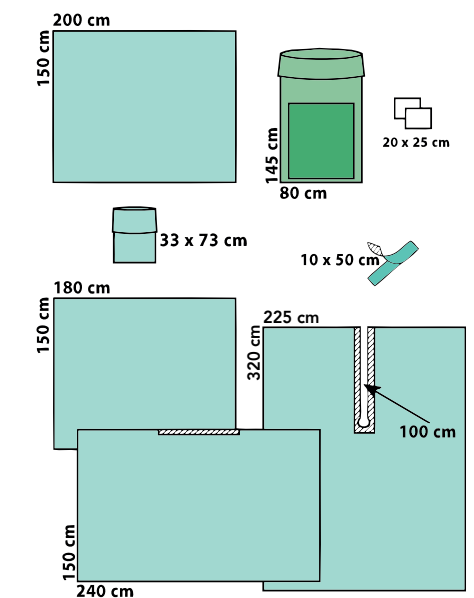


### Shoulder Split Sheet Pack, aquamarine

delete **861112**

PU: 7 packs

| Cont. and sequence                  | Size/cm   | Qty. | Ref. no. |
|-------------------------------------|-----------|------|----------|
| Plain drape – table cover (wrap)    | 150 x 200 | 1    | 808869   |
| Mayo stand cover                    | 80 x 145  | 1    | 547714   |
| Stockinette                         | 33 x 73   | 1    | 883355   |
| OR tape, elastic                    | 10 x 50   | 2    | 591151   |
| Plain drape, 2-ply, as bottom drape | 150 x 180 | 1    | 808821   |
| Split sheet, U=7.5 x 100 cm         | 200 x 260 | 1    | 828805   |
| Adhesive drape                      | 150 x 240 | 1    | 838807   |
| Hand towels                         | 25 x 20   | 2    | -/-      |

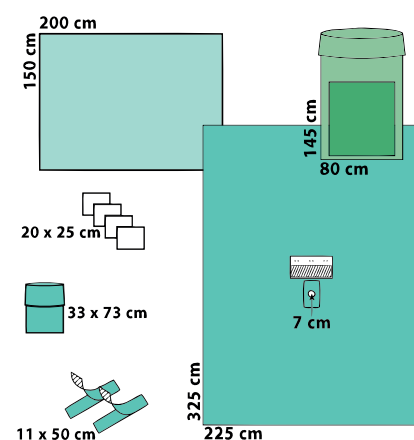


## Traumatology and Orthopaedic Surgery

### Arthroscopy Pack, standard 1 **561105**

PU: 9 packs

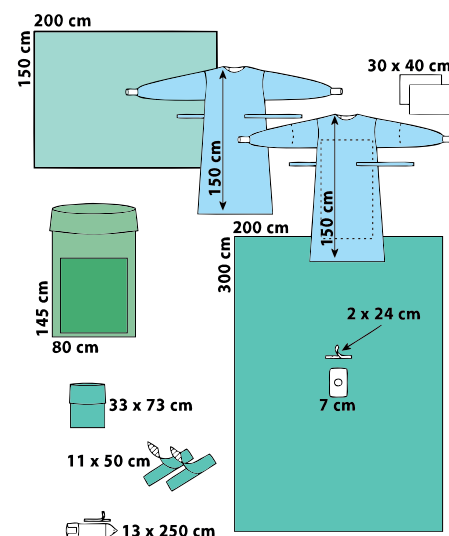
| Cont. and sequence   | Size/cm   | Qty. | Ref. no. |
|--|-----------|------|----------|
| Plain drape – table cover (wrap)                                     | 85 x 100  | 1    | 808869   |
| Mayo stand cover   | 80 x 145  | 1    | 547714   |
| Hand towels  | 20 x 25   | 4    | -/-      |
| Stockinette, 2-ply   | 33 x 73   | 1    | 583355   |
| OR tape, film  | 11 x 50   | 2    | 591150   |
| Extremity drape with Ø 7 cm elastic aperture with cable/ tube holder | 225 x 325 | 1    | 518810   |



### Arthroscopy Pack, standard 3 **563035**

PU: 6 packs

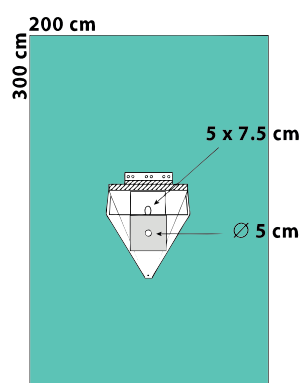
| Cont. and sequence  | Size/cm   | Qty. | Ref. no. |
|---|-----------|------|----------|
| Plain drape – table cover (wrap)  | 85 x 100  | 1    | 808869   |
| Hand towels   | 30 x 40   | 2    | -/-      |
| OR gown, standard   | XL = 150  | 1    | 464416   |
| OR gown, reinforced   | XL = 150  | 1    | 464417   |
| Mayo stand cover  | 80 x 145  | 1    | 547714   |
| Stockinette, 2-ply  | 33 x 73   | 1    | 583355   |
| OR tape, film   | 11 x 50   | 2    | 591150   |
| Camera tube cover, telescopically   | 13 x 250  | 1    | 581323   |
| Extremity drape, 2-ply, with Ø 7 cm elastic aperture, decentral and integral velcro strip | 200 x 300 | 1    | 518819   |



### Arthroscopy Drape, "small" **518853**

PU: 24 drapes

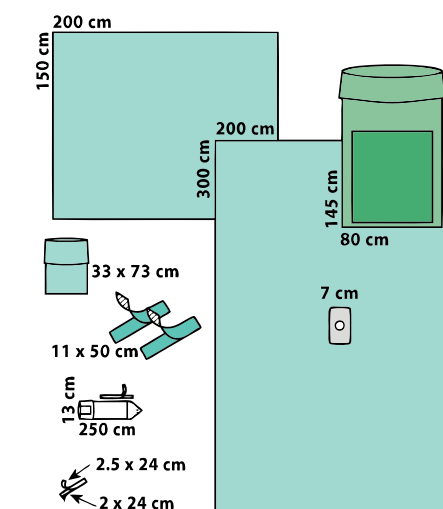
| Description  | Size/cm   |
|--|-----------|
| Arthroscopy drape "small", 2-ply, with cable/tube holder and fluid collection pouch with drainage port | 200 x 300 |



### Arthroscopy Pack, aquamarine **861122** delete

PU: 10 packs

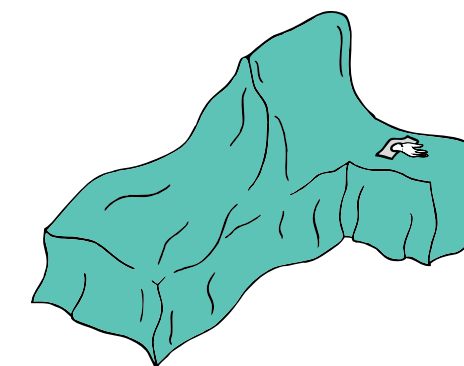
| Cont. and sequence                            | Size/cm    | Qty. | Ref. no. |
|---|------------|------|----------|
| Plain drape – table cover (wrap)              | 150 x 200  | 1    | 808869   |
| Mayo stand cover                              | 80 x 145   | 1    | 547714   |
| Stockinette, 2-ply                            | 33 x 73    | 1    | 883355   |
| OR tape, film                                 | 11 x 50    | 2    | 591150   |
| Camera tube cover, telescopically             | 13 x 250   | 1    | 581323   |
| Velcro strip                                  | 2/2.5 x 24 | 1    | 592525   |
| Extremity drape, with Ø 7 cm elastic aperture | 200 x 300  | 1    | 818820   |



### Hand Surgery Drape **518844**

PU: 20 drapes

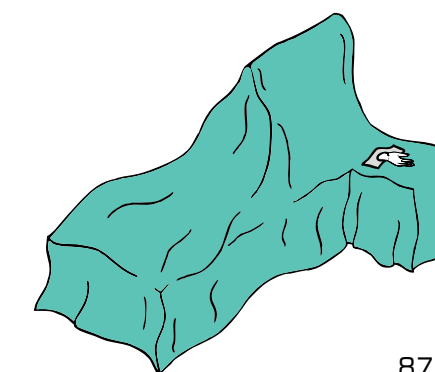
| Description  | Size/cm       |
|--|---------------|
| Hand Surgery drape, 2-ply, T-form, with integral arm table cover and elastic aperture Ø 3 cm | 360/150 x 330 |



### Hand Surgery Drape **518845**

PU: 20 drapes

| Description  | Size/cm       |
|--|---------------|
| Hand surgery drape, 2-ply, T-form, with integral arm table cover and elastic aperture Ø 3 cm | 360/160 x 280 |





## Traumatology and Orthopaedic Surgery

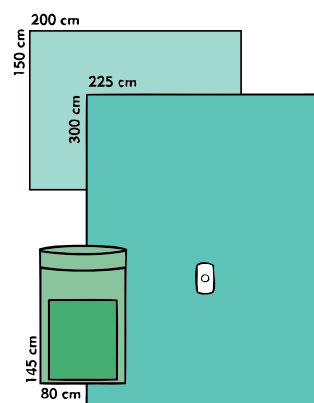
### Hand/Foot Pack

**564185**

PU: 10 packs

| Cont. and sequence               | Size/cm   | Qty. | Ref. no. |
|----------------------------------|-----------|------|----------|
| Plain drape – table cover (wrap) | 150 x 200 | 1    | 808869   |
| Mayo stand cover                 | 80 x 145  | 1    | 547714   |
| Hand/Foot drape                  | 225 x 300 | 1    | 518815   |

Particularity: with larger back table cover

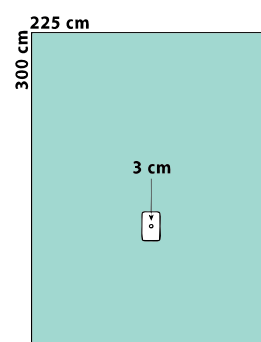


### Hand/Foot Pack, aquamarine

**818815-9** delete

| Description   | Size/cm   |
|---|-----------|
| Extremity drape, 2-ply with Ø 3 cm elastic aperture | 225 x 300 |

Only available as a non-sterile pack component



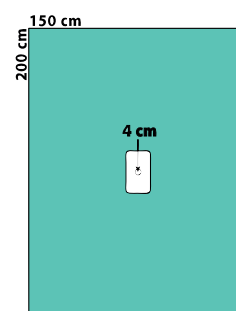
### Extremity Drape "small"

**518827**

Dispenser, PU: 40 drapes

| Description   | Size/cm   | Qty./disp. |
|---|-----------|------------|
| Extremity drape, 2-ply with Ø 4 cm elastic aperture | 150 x 200 | 20         |

For procedures on the distal extremities

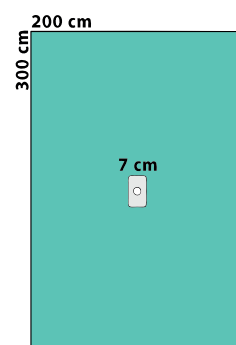


### Extremity Drape

**518820**

PU: 16 drapes

| Description   | Size/cm   |
|---|-----------|
| Extremity drape, 2-ply with Ø 7 cm elastic aperture | 200 x 300 |



## Aperture Drapes/Packs

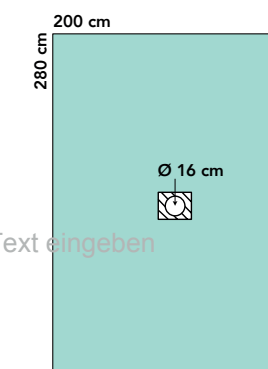
### Aperture Drape, aquamarine

**859176** delete

PU: 20 drapes

| Description                        | Size/cm   |
|------------------------------------|-----------|
| Adhesive aperture Ø 16 cm, central | 200 x 280 |

Hier Text eingeben

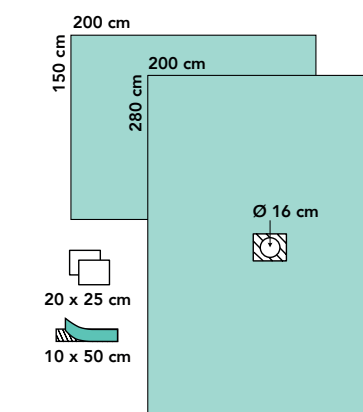


### Aperture Drape Pack "small", aquamarine

**864373** delete

PU: 14 packs

| Cont. and sequence                             | Size/cm   | Qty. | Ref. no. |
|--|-----------|------|----------|
| Plain drape – table cover (wrap)               | 150 x 200 | 1    | 808869   |
| Hand towels                                    | 20 x 25   | 2    | -/-      |
| OR tape, elastic                               | 10 x 50   | 1    | 591151   |
| Adhesive aperture Ø 16 cm, central, aquamarine | 200 x 280 | 1    | 859176   |

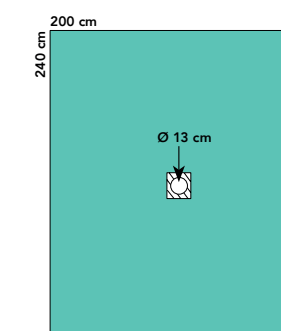


### Aperture Drape, Mediwell super strong

**559175**

PU: 20 drapes

| Description                        | Size/cm   |
|------------------------------------|-----------|
| Adhesive aperture Ø 13 cm, central | 200 x 240 |



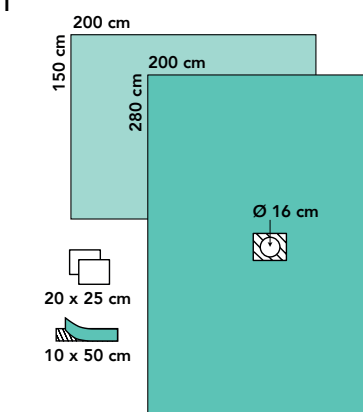
S- special production

### Aperture Drape Pack "small"

**564373**

PU: 14 packs

| Cont. and sequence                 | Size/cm   | Qty. | Ref. no. |
|------------------------------------|-----------|------|----------|
| Plain drape – table cover (wrap)   | 150 x 200 | 1    | 808869   |
| Hand towels                        | 20 x 25   | 2    | -/-      |
| OR tape, elastic                   | 10 x 50   | 1    | 591151   |
| Adhesive aperture Ø 13 cm, central | 200 x 240 | 1    | 559175   |

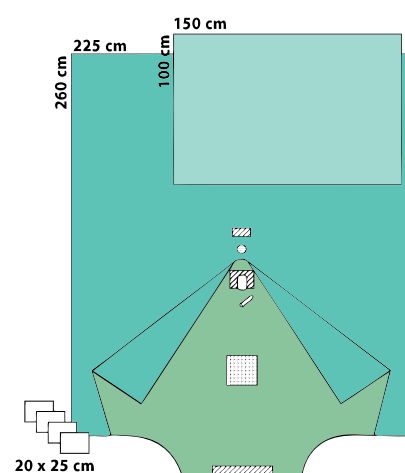


### TUR Pack, standard

PU: 14 packs

**561202**

| Cont. and sequence  | Size/cm   | Qty. | Ref. no. |
|---|-----------|------|----------|
| Plain drape – table cover (wrap)  | 100 x 150 | 1    | 808823   |
| Hand towels   | 20 x 25   | 4    | -/-      |
| TUR drape with 6 x 10 cm adhesive aperture; with sieve, finger cot and Ø 6 cm supra-pubic aperture with incision film | 225 x 260 | 1    | 558882   |

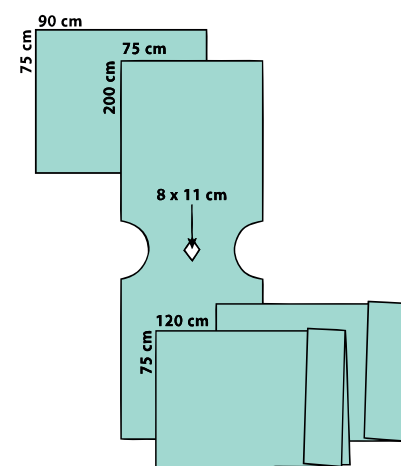


### ~~CYST Pack, aquamarine~~

PU: 20 packs

delete **861204**

| Cont. and sequence                      | Size/cm  | Qty. | Ref. no. |
|---|----------|------|----------|
| Plain drape, 2-ply                      | 75 x 90  | 1    | 808824   |
| CYST drape, 2-ply, ◇ 8 x 11 cm aperture | 75 x 200 | 1    | 818842   |
| Leggings, 2-ply                         | 75 x 125 | 2    | 888812   |

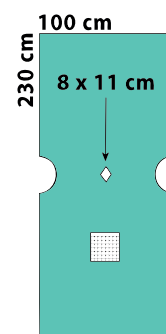


### TUR Drape

Dispenser, PU: 45 drapes

**518841**

| Description  | Size/cm   | Qty./disp. |
|--|-----------|------------|
| TUR drape, 2-ply, ◇ 8 x 11 cm non-adhesive aperture, decentral; with sieve | 100 x 230 | 15         |

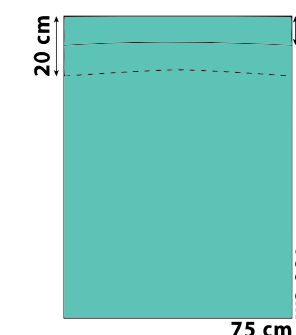


### Under Buttocks Drape

Dispenser, PU: 90 drapes

**508887**

| Description                                    | Size/cm  | Qty./disp. |
|--|----------|------------|
| Under buttocks drape, 2-ply with 20 cm turn-up | 75 x 100 | 30         |

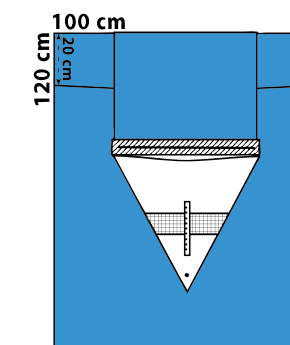


### Under Buttocks Drape

Dispenser, PU: 45 drapes

**506667**

| Description   | Size/cm   | Qty./disp. |
|---|-----------|------------|
| Under buttocks drape, Colordrape, with 20 cm turn-up, 54 x 43 cm non-woven reinforcement and fluid collection pouch with scale, sieve and drainage port | 100 x 120 | 15         |

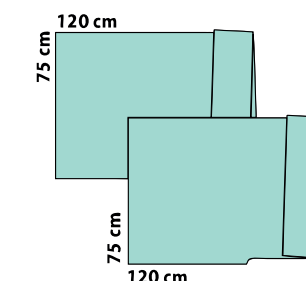


### ~~Leggings~~

Dispenser, PU: 30 pairs

**888812** delete

| Description      | Length/cm | Qty./disp. |
|------------------|-----------|------------|
| aquamarine 2-ply | 75 x 120  | 10 pairs   |



Plain Drapes

| Mediwell 2-ply       | Qty. dispenser or inliner/PU | Size/cm   | Ref. no.             |
|----------------------|------------------------------|-----------|----------------------|
|                      | 120 / 720                    | 37.5 x 45 | 503842               |
|                      | 70 / 420                     | 45 x 75   | 504572               |
|                      | 45 / 270                     | 75 x 90   | 507592               |
| Mediwell 3-ply       |                              |           |                      |
|                      | <del>65 / 390</del>          | 45 x 75   | 504575 X delete      |
|                      | 35 / 210                     | 75 x 90   | 507590               |
| Mediwell super 2-ply |                              |           |                      |
|                      | 60 / 360                     | 45 x 75   | 508825               |
|                      | 40 / 240                     | 75 x 90   | 508824               |
|                      | 30 / 180                     | 100 x 100 | 508858               |
|                      | 20 / 60                      | 100 x 150 | 508823               |
| aquamarine 2-ply     |                              |           |                      |
|                      | 27 / 81                      | 100 x 150 | 808823               |
|                      | 18 / 54                      | 150 x 140 | 808844-9 non-sterile |

Adhesive Drapes

| Mediwell super 2-ply                             | Qty. dispenser or inliner/PU        | Size/cm        | Ref. no.        |
|--|-------------------------------------|----------------|-----------------|
| Adhesive zone 5 x 50 cm                          | 70 / 420                            | 50 x 50        | 538822          |
| Adhesive zone 5 x 75 cm                          | 65 / 390                            | 50 x 75        | 538829          |
| Adhesive zone 5 x 75 cm                          | 45 / 270                            | 75 x 75        | 538821          |
| Adhesive zone 5 x 90 cm                          | 40 / 240                            | 75 x 90        | 538823          |
| Colordrape                                       |                                     |                |                 |
| <b>Mayo stand covers made of PE film</b>         | <b>Qty. dispenser or inliner/PU</b> | <b>Size/cm</b> | <b>Ref. no.</b> |
| "Standard", non-woven area 75 x 64 cm, turquoise | 20 / 60                             | 80 x 145       | 547714          |

Aperture Drapes

| Mediwell 2-ply                      | Qty. dispenser or inliner/PU | Size/cm | Ref. no.        |
|-------------------------------------|------------------------------|---------|-----------------|
| Aperture Ø 6 cm, central            | 70 / 420                     | 45 x 75 | 514572          |
| Aperture Ø 6 cm, central            | 45 / 270                     | 75 x 90 | 517592          |
| Mediwell 3-ply                      |                              |         |                 |
| <del>Aperture Ø 6 cm, central</del> | 50 / 300                     | 45 x 75 | 514575 X delete |
| <del>Aperture Ø 6 cm, central</del> | 30 / 180                     | 75 x 90 | 517590 X delete |
| Mediwell super 2-ply                |                              |         |                 |
| Aperture Ø 6 cm, central            | 70 / 420                     | 45 x 75 | 518821          |
| Aperture Ø 6 cm, central            | 45 / 270                     | 75 x 90 | 518822          |

Aperture Drapes, Adhesive

| Mediwell 2-ply                     | Qty. dispenser or inliner/PU | Size/cm   | Ref. no. |
|------------------------------------|------------------------------|-----------|----------|
| Aperture oval, 5 x 7.5 cm, central | 65 / 390                     | 50 x 60   | 555064   |
| Mediwell super 2-ply               |                              |           |          |
| Aperture Ø 6 cm, central           | 70 / 420                     | 50 x 60   | 558823   |
| Aperture Ø 6 cm, central           | 45 / 270                     | 75 x 75   | 558971   |
| Aperture oval, 8 x 6 cm, central   | 40 / 240                     | 75 x 90   | 558972   |
| Aperture oval, 7 x 10 cm, central  | 25 / 75                      | 100 x 150 | 558974   |
| Mediwell super strong 3-ply        |                              |           |          |
| Aperture 15 x 15 cm, central       | 18 / 54                      | 120 x 150 | 559075   |
| Aperture 7.5 x 5 cm, decentral     | 15 / 45                      | 120 x 150 | 558801   |

| Film drape               | Qty. dispenser or inliner/PU | Size/cm  | Ref. no. |
|--------------------------|------------------------------|----------|----------|
| Aperture Ø 6 cm, central | 50 / 150                     | 75 x 130 | 556655   |

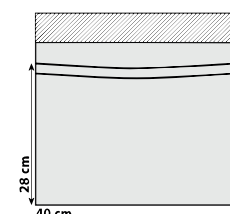
S- special production

## Supplementary Products

### Diathermy Pouches, adhesive, transparent

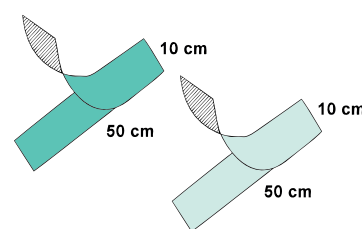
Dispenser

| Description                                     | Size/cm | Qty./disp. | Ref. no. |
|---|---------|------------|----------|
| Single chamber, with turn-up<br>PU: 6 dispenser | 33 x 28 | 60         | 583330   |



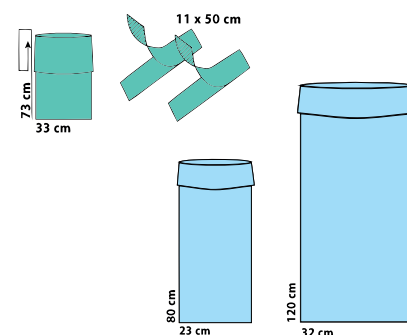
### OR Tapes dispenser

| Description                            | Size/cm | Qty./disp. | Ref. no. |
|--|---------|------------|----------|
| non-woven, standard<br>PU: 6 dispenser | 10 x 50 | 130        | 591050   |
| non-woven, elastic<br>PU: 6 dispenser  | 10 x 50 | 125        | 591151   |



### Stockinettes dispenser

| Description                                  | Size/cm  | Qty./disp. | Ref. no. |
|--|----------|------------|----------|
| 2-ply + 2 film tapes<br>PU: 120 stockinettes | 33 x 73  | 40         | 583355   |
| 2-ply + 2 film tapes<br>PU: 75 stockinettes  | 35 x 120 | 25         | 583311   |
| US model<br>PU: 150 stockinettes             | 23 x 80  | 25         | 580001   |
| US model<br>PU: 51 stockinettes              | 32 x 120 | 17         | 580003   |



## Variable Aperture Drapes

### Variable Aperture Drapes, adhesive, 2-ply

| Mediwell super 2-ply     | Qty. dispenser or inliner/PU | Size/cm | Ref. no. |
|--------------------------|------------------------------|---------|----------|
| Aperture max. 12 x 21 cm | 50 / 300                     | 50 x 75 | 554575   |
| Aperture max. 12 x 21 cm | 35 / 210                     | 75 x 90 | 558948   |
| Aperture max. 18 x 28 cm | 30 / 180                     | 75 x 90 | 558964   |

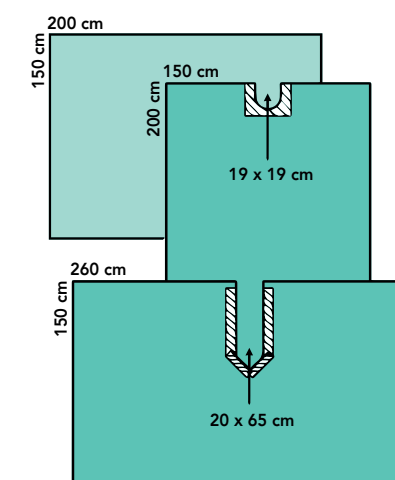
### Variable Split Sheet Pack

S- special production

**561115**

PU: 8 packs

| Cont. and sequence               | Size/cm   | Qty. | Ref. no. |
|----------------------------------|-----------|------|----------|
| Plain drape – table cover (wrap) | 150 x 200 | 1    | 808869   |
| Split sheet, U = 19 x 19 cm      | 150 x 200 |      | 528837   |
| Split sheet, U = 20 x 65 cm      | 150 x 260 |      | 528862   |





## Supplementary Products



For holistic comprehensive supplies of the operating theatre, Sengewald offers a multitude of application-friendly supplementary products. Various collection pouches for direct fluid control, diathermy bags, OR tape and velcro fasteners as well as sleeve protectors, leggings and foot covers are available in various materials and measurements.

Camera covers and image intensifier packs, as well as equipment covers in diverse sizes guarantee maximum hygiene safety in the OR.

Hier Text eingeben

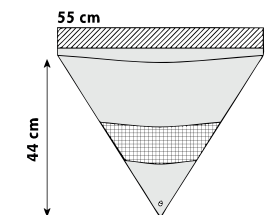
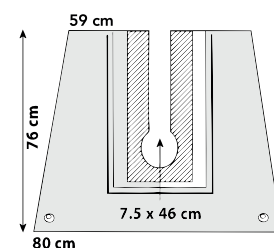


# Supplementary Products

## Fluid Collection/Diathermy Pouches

### Fluid Collection Pouches

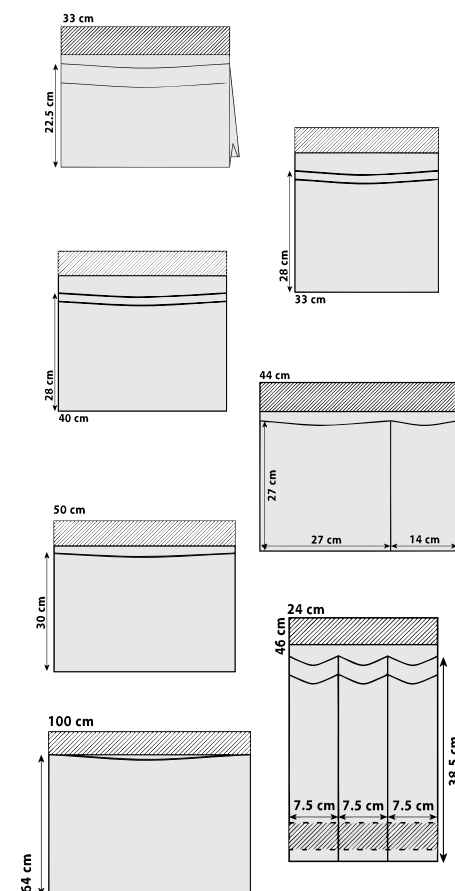
| Description  | Size/cm    | PU | Ref. no. |
|--|------------|----|----------|
| For shoulders, with 46 cm adhesive U-slit and 2 drainage ports | 59/80 x 76 | 50 | 589978   |
| Universal, with sieve and drainage port                        | 55 x 50/44 | 50 | 589901   |



### Diathermy Pouches, adhesive, transparent

Dispenser

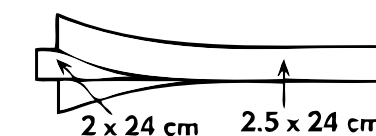
| Description  | Size/cm   | Qty. | Ref. no. |
|--|-----------|------|----------|
| Single chamber, with bottom fold 5 cm<br>PU: 6 dispenser | 33 x 22.5 | 52   | 583324   |
| Single chamber, with turn-up<br>PU: 6 dispenser          | 33 x 28   | 60   | 583330   |
| Single chamber, with turn-up<br>PU: 6 dispenser          | 40 x 28   | 60   | 584028   |
| Dual chamber, 27 + 14 cm<br>PU: 6 dispenser              | 44 x 27   | 60   | 584427   |
| MIS single chamber<br>PU: 6 dispenser                    | 50 x 30   | 45   | 583850   |
| MIS triple chamber, with turn-up<br>PU: 6 dispenser      | 24 x 38.5 | 50   | 582246   |
| Single chamber, hip<br>PU: 3 dispenser                   | 100 x 64  | 25   | 588010   |



## Velcro Strip/OR Tapes/Incision Film

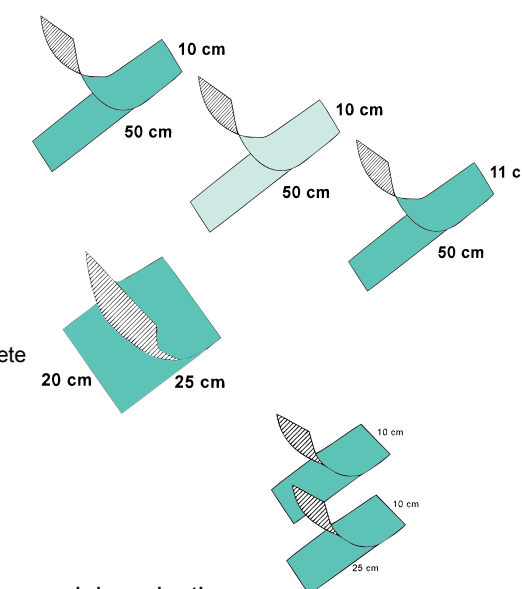
### Velcro Strip dispenser

| Description                        | Size/cm    | Qty. | Ref. no. |
|------------------------------------|------------|------|----------|
| OP velcro strip<br>PU: 6 dispenser | 2/2.5 x 24 | 100  | 592525   |



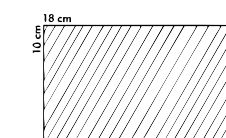
### OR Tapes dispenser

| Description                                       | Size/cm | Qty.           | Ref. no.                     |
|---|---------|----------------|------------------------------|
| Non-woven, standard<br>PU: 6 dispenser            | 10 x 50 | 130            | 591050                       |
| Non-woven, elastic<br>PU: 6 dispenser             | 10 x 50 | 125            | 591151                       |
| Film<br>PU: 6 dispenser                           | 11 x 50 | 110            | 591150                       |
| <del>Non-woven, standard</del><br>PU: 6 dispenser | 20 x 25 | 70             | 592025 delete                |
| Non-woven, standard<br>PU: 6 dispenser            | 10 x 25 | 100 pairs      | 591025                       |
| Non-woven, elastic<br>PU: 6 dispenser             | 10 x 50 | 75 pairs       | 591152                       |
| Non-woven, elastic à 5 pcs.<br>PU: 6 dispenser    | 10 x 50 | 25 x 5 pouches | 591055 S- special production |



### Incision Film dispenser

| Description                          | Size/cm | Qty. | Ref. no. |
|--------------------------------------|---------|------|----------|
| For ophthalmology<br>PU: 6 dispenser | 10 x 18 | 150  | 591018   |

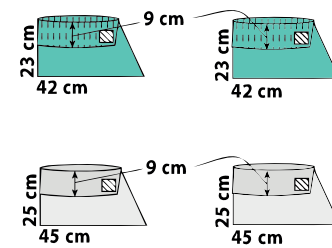


# Supplementary Products

## Foot Covers/Stockinettes/Leggings

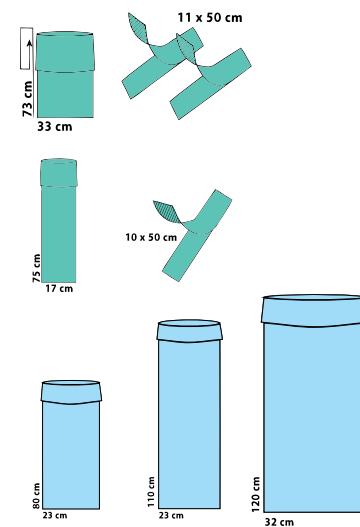
### Foot Covers dispenser

| Description                               | Size/cm    | Qty./disp. | Ref. no. |
|---|------------|------------|----------|
| Foot covers, 2-ply<br>PU: 180 pairs       | 23-32 x 42 | 30         | 589950   |
| Foot covers, transparent<br>PU: 300 pairs | 25-34 x 45 | 50         | 589951   |



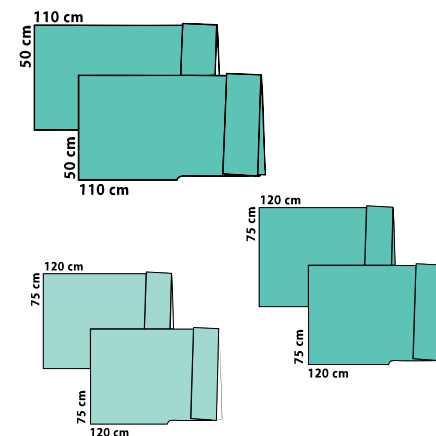
### Stockinettes dispenser

| Description   | Size/cm  | Qty./disp. | Ref. no. |
|---|----------|------------|----------|
| Mediwell super + 2 film tape strips<br>PU: 120 stockinettes | 33 x 73  | 40         | 583355   |
| Mediwell super + 2 film tape strips<br>PU: 75 stockinettes  | 35 x 120 | 25         | 583311   |
| Mediwell super + elastic tape strip<br>PU: 180 stockinettes | 17 x 75  | 60         | 588827   |
| US model<br>PU: 150 stockinettes                            | 23 x 80  | 25         | 580001   |
| US model<br>PU: 90 stockinettes                             | 23 x 110 | 15         | 580002   |
| US model<br>PU: 51 stockinettes                             | 32 x 120 | 17         | 580003   |



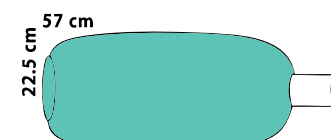
### GYN/URO Leggings dispenser

| Description  | Size/cm  | Qty./disp. | Ref. no.      |
|--|----------|------------|---------------|
| Mediwell super, 2-ply, film inside<br>PU: 60 pairs | 50 x 110 | 10         | 588811        |
| Mediwell super, 2-ply, film inside<br>PU: 36 pairs | 75 x 120 | 12         | 588812        |
| aquamarine, 2-ply, film inside<br>PU: 30 pairs     | 75 x 120 | 10         | 888812 delete |



### Sleeve Protectors, Mediwell super dispenser

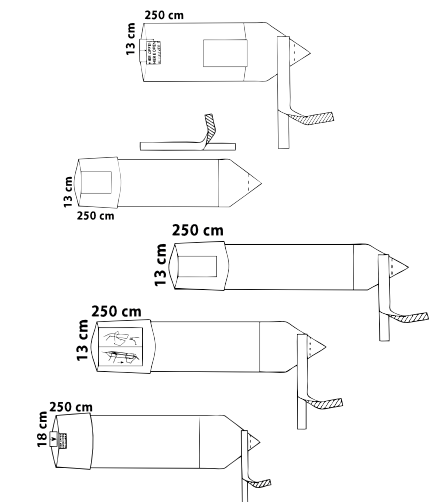
| Description                       | Size/cm   | Qty./disp. | Ref. no. |
|-----------------------------------|-----------|------------|----------|
| 2-ply, with cuffs<br>PU: 210 pcs. | 22.5 x 57 | 35         | 582052   |



## Camera-/Image Intensifier Covers

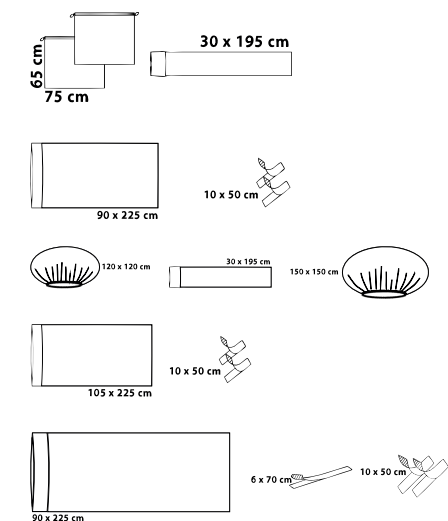
### Camera Tube Covers dispenser

| Description   | Size/cm  | Qty./disp. | Ref. no. |
|---|----------|------------|----------|
| Camera tube cover, reverse<br>PU: 210 covers        | 13 x 250 | 35         | 581322   |
| Camera tube cover, telescopically<br>PU: 192 covers | 13 x 250 | 32         | 581323   |
| Camera tube cover, telescopically<br>PU: 192 covers | 13 x 250 | 32         | 581324   |
| Camera tube cover, telescopically<br>PU: 150 covers | 13 x 250 | 25         | 581325   |
| Camera tube cover, telescopically<br>PU: 120 covers | 18 x 250 | 30         | 581825   |



### Image Intensifier Covers and Packs dispenser

| Description   | Qty./disp. | Ref. no. |
|---|------------|----------|
| Pack 1, for Philips equipment, 3-part<br>PU: 54 packs                       | 18         | 565803   |
| Pack 2, for Siemens equipment, 1-part with 2 OR tapes<br>PU: 30 packs       | 10         | 565804   |
| Pack 3, for Philips BV29 equipment, 3-part<br>PU: 24 packs                  | 24         | 565805   |
| Pack 4, for Siemens ISO-C equipment, 1-part with 2 OR tapes<br>PU: 50 packs | 50         | 565851   |
| Pack 6, for Siemens equipment, 1-part with 3 OR tapes<br>PU: 30 packs       | 10         | 565856   |



### Image Intensifier Cover dispenser

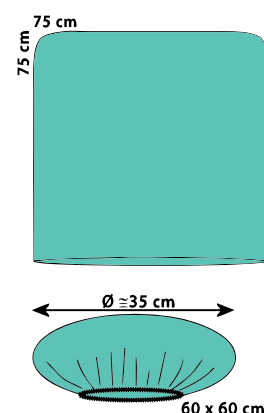
| Description                                  | Size/cm | Qty./disp. | Ref. no. |
|--|---------|------------|----------|
| Film pouch with drawstring<br>PU: 105 covers | 75 x 65 | 35         | 587565   |

## Equipment Covers

### Stool Covers

Dispenser

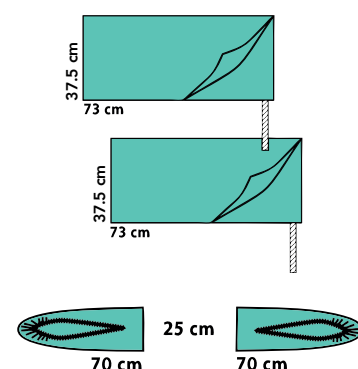
| Description   | Size/cm | Qty./disp. | Ref. no. |
|---|---------|------------|----------|
| Mediwell super, 2-ply<br>PU: 90 covers                | 75 x 75 | 15         | 588875   |
| Mediwell super, 2-ply<br>elastified<br>PU: 210 covers | 60 x 60 | 35         | 588860   |



### Armrest Covers, Mediwell super, 2-ply

Dispenser

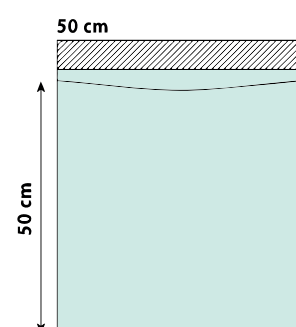
| Description                              | Size/cm   | Qty./disp. | Ref. no. |
|--|-----------|------------|----------|
| with integral tape strip<br>PU: 90 pairs | 37.5 x 73 | 15 pairs   | 583573   |
| elastified<br>PU: 60 pairs               | 25 x 70   | 20 pairs   | 583574   |



### X-Ray Cassette Cover, Mediwell

Dispenser

| Description  | Size/cm | Qty./disp. | Ref. no. |
|--|---------|------------|----------|
| 3-ply, adhesive, overall length<br>58 cm<br>PU: 240 covers | 50 x 50 | 40         | 585050   |

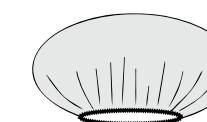


### Equipment Covers, transparent film

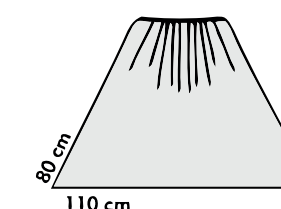
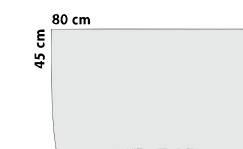
Dispenser

| Description   | Size/cm   | Qty./disp. | Ref. no.      |
|---|-----------|------------|---------------|
| <del>elastified, round</del><br>PU: 300 pcs.                        | 25 x 25   | 50         | 582515 delete |
| elastified, round<br>Only available as a non-sterile pack component | 45 x 45   |            | 584520-9      |
| elastified, round<br>PU: 180 pcs.                                   | 60 x 60   | 30         | 586030        |
| elastified, round<br>PU: 150 pcs.                                   | 80 x 80   | 25         | 588040        |
| elastified, rectangular<br>PU: 240 pcs.                             | 80 x 45   | 40         | 588045        |
| elastified, rectangular<br>PU: 150 pcs.                             | 110 x 80  | 25         | 581180        |
| elastified, round<br>PU: 120 pcs.                                   | 100 x 100 | 20         | 581050        |
| elastified, round<br>PU: 72 pcs.                                    | 120 x 120 | 12         | 581260        |
| elastified, round<br>Only available as a non-sterile pack component | 150 x 150 |            | 581576-9      |

Example: equipment cover round



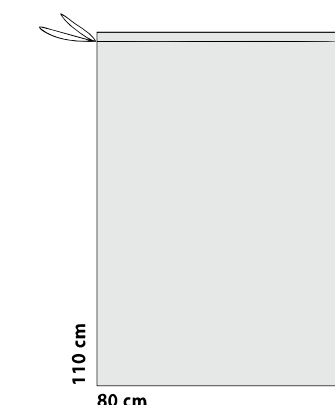
Example: equipment cover rectangular



### Lead Window Cover, transparent film

Dispenser

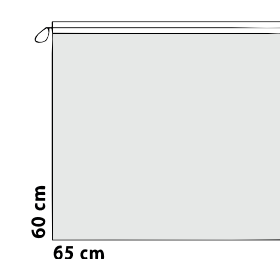
| Description                    | Size/cm  | Qty./disp. | Ref. no. |
|--------------------------------|----------|------------|----------|
| with drawstring<br>PU: 75 pcs. | 80 x 110 | 25         | 588011   |



### Film Pouch, transparent film

Dispenser

| Description                     | Size/cm | Qty./disp. | Ref. no. |
|---------------------------------|---------|------------|----------|
| with drawstring<br>PU: 240 pcs. | 65 x 60 | 40         | 586560   |





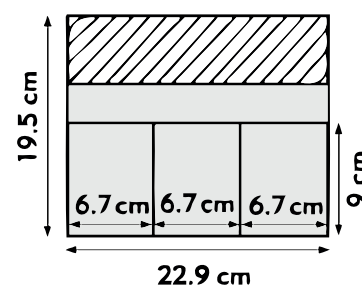
# Supplementary Products

## Accessory

### Surgical Suture Bag of transparent film

| Description   | Size/cm     | Ref. no. |
|---|-------------|----------|
| Film, PE/PA/PE, adhesive, with 3 pouches 67 x 90 mm | 19.5 x 22.5 | 589960-9 |

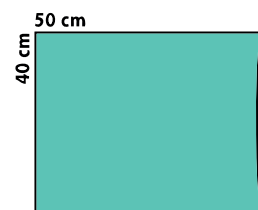
Only available as a non-sterile pack component



### Pillowcase Cover non-sterile

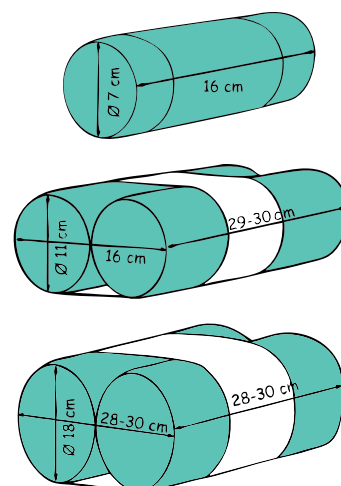
PU: 250 covers

| Description                       | Size/cm | Qty. | Ref. no. |
|-----------------------------------|---------|------|----------|
| Pillowcase, Mediwell super, 2-ply | 40 x 50 | 50   | 588851-9 |



### OR Plain Drapes, rolled

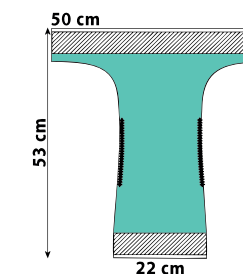
| Description                        | Size/cm | Qty. | Ref. no. |
|------------------------------------|---------|------|----------|
| Plain drape, rolled<br>PU: 50 pcs. | 7 x 16  | 50   | 588880   |
| Plain drape, rolled<br>PU: 9 pcs.  | 16 x 30 | 9    | 588881   |
| Plain drape, rolled<br>PU: 3 pcs.  | 30 x 30 | 3    | 588882   |



### Perineal Drape Mediwell super, 2-ply

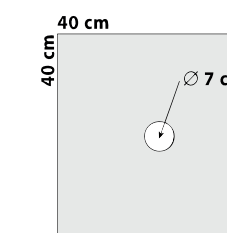
Dispenser, PU: 300 pcs.

| Description                    | Size/cm    | Qty./disp. | Ref. no. |
|--------------------------------|------------|------------|----------|
| Adhesive with elasticated side | 50/22 x 53 | 50         | 585053   |



### Elastic Inlets non-sterile

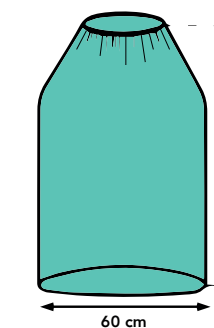
| Description                                | Size/cm | Qty. | Ref. no. |
|--|---------|------|----------|
| Aperture Ø 7 cm, central<br>PU: 1,000 pcs. | 25 x 40 | 100  | 582540-9 |
| Aperture Ø 7 cm, central<br>PU: 500 pcs.   | 40 x 40 | 50   | 584040-9 |



### Standcover for Bowl

PU: 75 covers

| Description                             | Size/cm  | Qty. | Ref. no. |
|---|----------|------|----------|
| with rubber band, Mediwell super, 2-ply | 100 x 60 | 25   | 588877   |



# OR Gowns



Our OR gowns ensure safety for personnel and patients: Mediwell soft is comfortable to wear due to its textile-like structure and the lightweight Mediwell light quality offers optimal patient comfort.

Thanks to the wide range including products in various materials and sizes the suitable gown for every intervention can be selected. All OR gowns are free of latex and PVC.

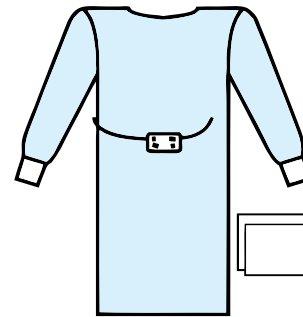


## OR Gowns Standard/Reinforced

**Gowns made of Mediwell soft** spunlace non-woven, breathable, textile-like structure, fluid-repellent; each gown is supplied with **two 30 x 40 cm hand towels and overwrap**

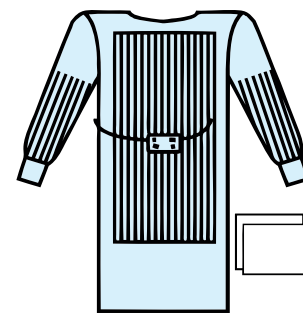
### Standard Gowns/SP without reinforcement

| Description                 | Length/cm | PU | Ref. no. |
|-----------------------------|-----------|----|----------|
| L                           | 130       | 24 | 464413   |
| XL                          | 150       | 24 | 464416   |
| XXL                         | 170       | 22 | 464419   |
| XL, extra wide (hem 190 cm) | 150       | 22 | 464458   |



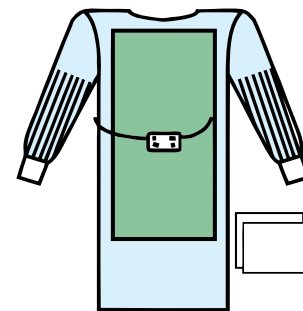
### Special Gowns/HP with bacteria and fluidproof interior reinforcement made of PE film and breathable interior sleeve reinforcement

| Description | Length/cm | PU | Ref. no. |
|-------------|-----------|----|----------|
| L           | 130       | 20 | 464414   |
| XL          | 150       | 22 | 464417   |
| XXL         | 170       | 18 | 464430   |



### Special Gowns/HP with bacteria and fluidproof exterior reinforcement made of PE film

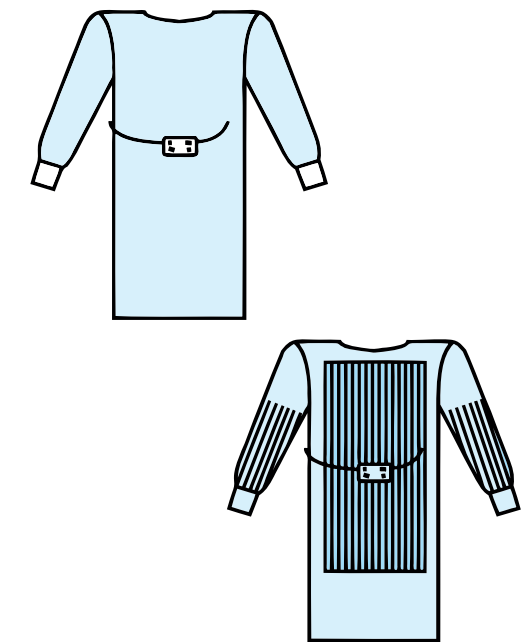
| Description | Length/cm | PU | Ref. no. |
|-------------|-----------|----|----------|
| XL          | 150       | 24 | 464415   |
| XXL         | 170       | 24 | 464418   |



### OR Gown Pack, reinforced **563810**

PU: 6 packs

| Description                        | Size or length/cm | Qty. | Ref. no. |
|------------------------------------|-------------------|------|----------|
| Medinop overwrap                   | 85 x 100          | 1    | 628510   |
| OR gowns, spunlace, non-reinforced | L = 130           | 1    | 464413   |
| OR gowns, spunlace, reinforced     | XL = 150          | 4    | 464417   |
| OR gowns, spunlace, reinforced     | XXL = 170         | 1    | 464430   |



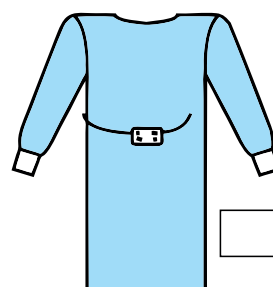
HP: fulfils the requirements of EN 13795 for High Performance  
 SP: fulfils the requirements of EN 13795 for Standard Performance

## OR Gowns Standard/Reinforced

**Gowns made of Mediwell light** SMMMS non-woven 47g/m<sup>2</sup>, breathable, highly comfortable to wear, fluid-repellent; each gown is supplied with **two 30 x 40 cm hand towels**

### Standard Gowns/SP non-reinforced

| Description                         | Length/cm | PU | Ref. no. |
|-------------------------------------|-----------|----|----------|
| L, non-reinforced                   | 135       | 28 | 464472   |
| XL, non-reinforced                  | 150       | 26 | 464473   |
| XL <del>XL</del> , SMMMS reinforced | 150       | 26 | 464475   |



### TUR Gown/HP non-woven yoke section

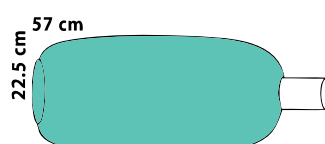
| Description | Length/cm | PU | Ref. no. |
|-------------|-----------|----|----------|
| L/XL        | 140       | 26 | 464455   |
| XL          | 150       | 26 | 464428   |



### Sleeve Protectors, Mediwell super

PU: 210 pcs.

| Description      | Size/cm   | Qty./disp. | Ref. no. |
|------------------|-----------|------------|----------|
| 2-ply, with cuff | 22.5 x 57 | 35         | 582052   |

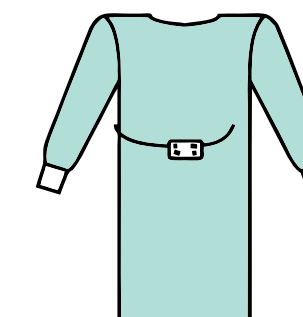


HP: fulfill the requirements of EN 13795 for High Performance  
SP: fulfill the requirements of EN 13795 for Standard Performance

**Gowns made of Mediwell light** SMMMS non-woven, breathable, textile-like structure, fluid-repellent; each gown is supplied with **two 30 x 40 cm hand towels**

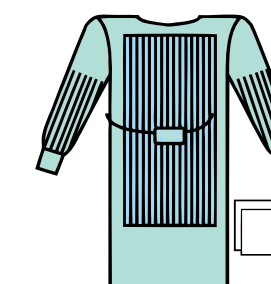
### Standard Gowns/SP non-reinforced

| Description | Length/cm | PU | Ref. no. |
|-------------|-----------|----|----------|
| M           | 120       | 34 | 464431   |
| L           | 130       | 30 | 464433   |
| XL          | 150       | 28 | 464436   |
| XXL         | 170       | 26 | 464491   |



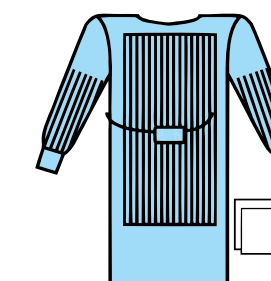
### Special Gowns/SP with interior SMMMS reinforcement

| Description | Length/cm | PU | Ref. no. |
|-------------|-----------|----|----------|
| L           | 130       | 30 | 464434   |
| XL          | 150       | 28 | 464437   |
| XXL         | 170       | 24 | 464492   |



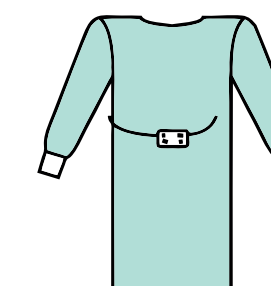
### Standard Gowns/SP with bacteria and fluidproof interior reinforcement

| Description | Length/cm             | PU | Ref. no. |
|-------------|-----------------------|----|----------|
| XL          | 150 cm <del>120</del> | 24 | 464438   |
| XXL         | 170 cm <del>140</del> | 22 | 464439   |



### Gown Pack standard **563840** delete PU:14 packs

| Description                  | Size or Length/cm | Qty. | Ref. no. |
|------------------------------|-------------------|------|----------|
| Medinop overwrap             | 85 x 100          | 1    | 628510   |
| OR Gown, SMS, non-reinforced | XL = 150          | 3    | 464436   |



HP: fulfill the requirements of EN 13795 for High Performance  
SP: fulfill the requirements of EN 13795 for Standard Performance



## Protection Products (Non-sterile)



Protection covers and sheets, as well as aprons supplement our product portfolio and fulfil the requirements of the highest hygiene safety. In addition to standard articles, we provide complete and individual solutions tailored to the specific needs of our customers.

Our scrubs clothing contributes towards the protection of patients, personnel and visitors.



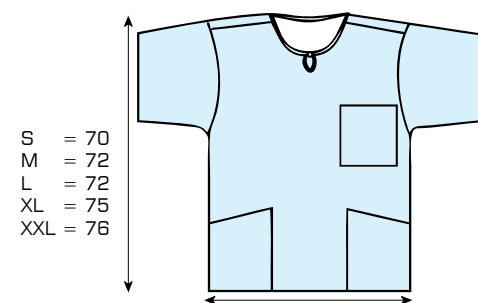
# Protection Products (Non-sterile)

## Scrub Suits/Non-Woven Jackets

**Scrub Suits, Mediwell soft and Mediwell 43 (SMS) tunics with press stud and 3-pocket trousers with tie waists and 2 back pockets**

PU: 4 x 25 pcs.

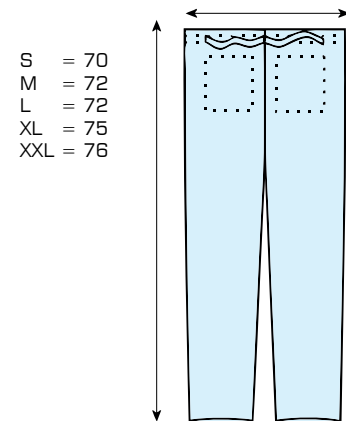
| Description        | Size/cm  | SMS 43 Ref. no.   | Soft Ref. no. |
|--------------------|----------|-------------------|---------------|
| Size S, tunic      | 52 x 70  | <del>469940</del> | 469930        |
| Size S, trousers   | 40 x 96  | <del>469941</del> | 469931        |
| Size M, tunic      | 57 x 72  | 469942            | 469932        |
| Size M, trousers   | 48 x 106 | 469943            | 469933        |
| Size L, tunic      | 63 x 72  | 469944            | 469934        |
| Size L, trousers   | 54 x 112 | 469945            | 469935        |
| Size XL, tunic     | 67 x 75  | 469946            | 469936        |
| Size XL, trousers  | 60 x 120 | 469947            | 469937        |
| Size XXL, tunic    | 70 x 76  | 469948            | 469938        |
| Size XXL, trousers | 66 x 125 | 469949            | 469939        |



S = 70  
M = 72  
L = 72  
XL = 75  
XXL = 76

S = 52  
M = 57  
L = 63  
XL = 67  
XXL = 70

S = 52  
M = 57  
L = 63  
XL = 67  
XXL = 70



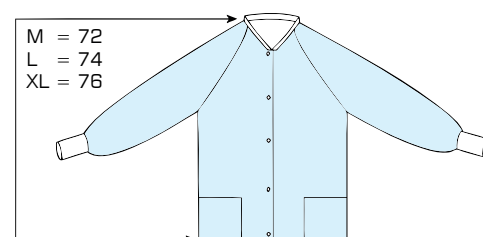
S = 70  
M = 72  
L = 72  
XL = 75  
XXL = 76

### Non-Woven Jackets

**Mediwell soft with press studs and 2 pockets**

PU: 50 pcs.

| Description | Length/cm | Qty. | Ref. no. |
|-------------|-----------|------|----------|
| Size M      | 72        | 1    | 469950   |
| Size L      | 74        | 1    | 469951   |
| Size XL     | 76        | 1    | 469952   |



M = 72  
L = 74  
XL = 76

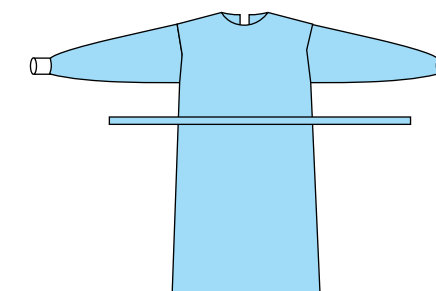
## Protection/Visitor Gown

### Protection Gown **464468**

**PP spunbond**

PU: 100

| Description   | Length/cm |
|---|-----------|
| Colour: light blue, with tie belt, OR gown folding, knitted cuffs | 125       |



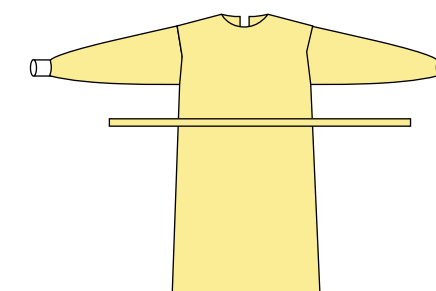
Hier Text eingeben

### Protection Gown **465521** delete

**SPP non-woven fabric with PE lamination on front and arms**

PU: 100

| Description  | Length/cm |
|--|-----------|
| Colour: yellow, velcro at the neck and tie around the waist, knitted cuffs | 140       |

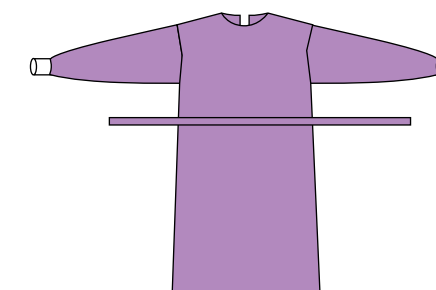


### Visitor Gown **465522** delete

**SPP non-woven fabric**

PU: 100

| Description  | Length/cm |
|--|-----------|
| Colour: purple, velcro at the neck and tie around the waist, knitted cuffs | 130       |

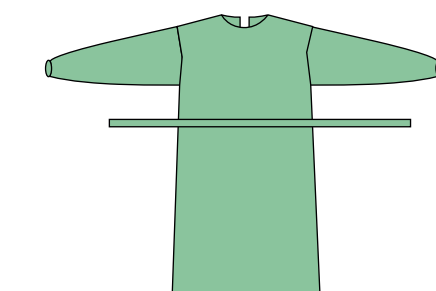


### Visitor Gown **465523**

**SPP non-woven fabric**

PU: 100

| Description   | Length/cm |
|---|-----------|
| Colour: light green, velcro at the neck and tie around the waist, elastic cuffs | 115       |



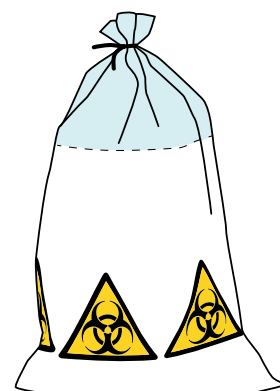
# Protection Products (Non-sterile)

## Accessory

not in the print catalogue  
**Aerobag®**  
**Waste Treatment Sacks**  
 PU: 200

**BYC186210**

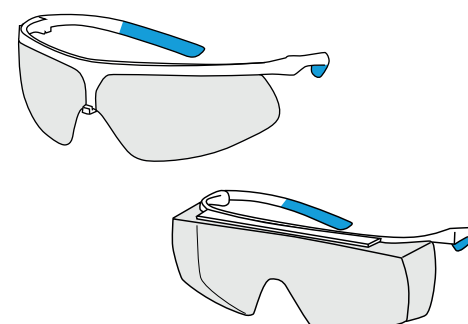
| Description  | Size/cm  | PU  |
|--|----------|-----|
| Steam sterilisation temperatur resistant up to 134°, hygienic disposal of infectious waste with steam indicator. 60 l netto capacity. Material 80% PP-PA-PP, 20% non-woven plastic material. | 65 x 100 | 200 |



not in print catalogue

### uvex - Autoclavable Safety Eyewear

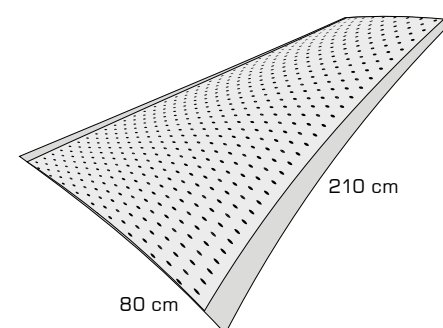
| Description                            | PU | Ref. no. |
|--|----|----------|
| Spectacles uvex super fit CR           | 5  | 9178.500 |
| Protective goggles uvex super f OTG CR | 5  | 9169.500 |
| Face Shield 9706 CA                    | 1  | 9706.514 |



not in the print catalogue

### OR-table Sheet curea 150 **692180-9**

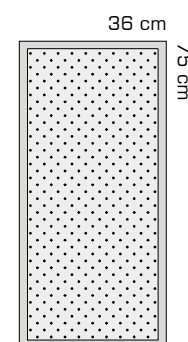
| Description   | Size/cm  | PU |
|---|----------|----|
| OR-table sheet and patient transfer device, non-sterile | 210 x 80 | 20 |
| Absorbent area  | 200 x 60 |    |



not in print catalogue

### Absorbent Floor Mat curea Liquimat standard **697536-9**

| Description   | Size/cm | PU  |
|---|---------|-----|
| absorbent on both sides, absorbent capacity up to 7 litres of fluids, non-sterile | 75 x 36 | 100 |



also available in 116 x 76 cm

## Protection Sheets/Aprons/Examination Couch Covers

### Medinop

| Protective sheets            | Qty. disp. or inliner/PU | Format/cm | Ref. no.        |
|------------------------------|--------------------------|-----------|-----------------|
| Protective sheets            | 700                      | 37.5 x 40 | 623840          |
| Protective sheets            | 700                      | 45 x 75   | 624575          |
| Protective sheets            | 500                      | 60 x 75   | 626075          |
| Protective sheets            | 400                      | 75 x 90   | 627590          |
| Protective sheets            | 200                      | 75 x 140  | 627814          |
| Protective sheets            | 150                      | 75 x 175  | 627818          |
| Protective sheets            | 150                      | 75 x 200  | 627820          |
| Protective sheets            | 125                      | 75 x 210  | 627821          |
| <del>Protective sheets</del> | 150                      | 85 x 175  | 628518 X delete |
| Protective sheets            | 100                      | 85 x 210  | 628521          |

| Examination couch covers                                  | Qty./PU | Format/cm x m | Ref. no.        |
|---|---------|---------------|-----------------|
| 2-ply, white, on rolls, perforated every 28 cm            | 10      | 39 cm x 50 m  | 773950          |
| 2-ply, white, on rolls, perforated every 28 cm            | 10      | 44 cm x 50 m  | 774450          |
| 2-ply, white, on rolls, perforated every 28 cm            | 10      | 50 cm x 50 m  | 775050          |
| <del>2-ply, white, on rolls, perforated every 28 cm</del> | 10      | 55 cm x 50 m  | 775550 X delete |
| 2-ply, white, on rolls, perforated every 28 cm            | 10      | 59 cm x 50 m  | 775950          |
| 2-ply, white, on rolls, perforated every 28 cm            | 8       | 74 cm x 50 m  | 777450          |

| Aprons                                | Qty. disp. or inliner/PU | Format/cm | Ref. no. |
|---------------------------------------|--------------------------|-----------|----------|
| White PE film, in dispensers          | 75 / 600                 | 75 x 110  | 407511   |
| White PE film, in dispensers          | 75 / 600                 | 75 x 130  | 407513   |
| White PE film, in dispensers          | 75 / 450                 | 75 x 150  | 407515   |
| White PE film, in dispensers          | 75 / 450                 | 75 x 170  | 407517   |
| Mediwell, 2-ply, in bundles à 50 pcs. | 400                      | 75 x 110  | 417511   |
| Mediwell, 2-ply, in bundles à 50 pcs. | 300                      | 75 x 130  | 417513   |
| Mediwell, 2-ply, in bundles à 50 pcs. | 300                      | 75 x 150  | 417515   |
| Mediwell, 2-ply, in bundles à 50 pcs. | 250                      | 75 x 170  | 417517   |

**Medinop** is a 2-ply material made of 100% virgin, oxygen-bleached, white tissue and transparent PE film. It is soft, very drapeable, absorbent, impermeable to fluids and bacteria, rub-resistant and extremely suitable for use as a pack overwrap with a secondary application as a sterile field or bottom/protective sheet.

| Product  | Page(s)            | Product                                    | Page(s)        | Product   | Page(s)        | Product                         | Page(s)    |
|--|--------------------|--|----------------|---|----------------|---------------------------------|------------|
| Absorbent Floor Mat                                      | 116                | Examination Couch Covers                   | 117            | Pacemaker Drape                                   | 35             | TUR Gowns                       | 61, 110    |
| Adhesive Drapes  | 16, 17, 80, 92     | Extremity Drapes                           | 41, 81, 88     | Paediatric Drapes/Pack                            | 80-81          | TUR Drapes                      | 56, 60, 90 |
| Adhesive Drapes with special adhesive for sensitive skin | 18                 | Extremity Drapes "small"                   | 48, 88         | Paediatric/ENT Split Sheet                        | 74             | TUR Packs                       | 58, 90     |
| Angiography Drapes                                       | 36-37              | Extremity Packs                            | 42             | Perineal Drape                                    | 105            | Turban Drape                    | 74         |
| Aperture Drapes  | 14, 76, 89, 93, 95 | Eye Drapes                                 | 75-76          | Pfannenstiel Drape/Pack                           | 65             | Under Buttocks Drape            | 68-69, 91  |
| Aprons   | 117                | Femoral Radial Angiography Drape           | 37             | Pillowcase Cover                                  | 104            | Universal Pack super            | 24         |
| Armrest covers   | 77, 102            | Film Pouch                                 | 103            | Plain Drapes                                      | 12-13, 92      | Universal Pack, paediatrics     | 24, 80     |
| Arthroscopy Drapes                                       | 43, 87             | Fluid Collection Pouches                   | 51, 61, 98     | Protection Gowns                                  | 115            | Universal Pack, standard        | 24, 84     |
| Arthroscopy Drapes "small"                               | 43                 | Fluid Collection Pouches for Arthroscopies | 51             | Protective Sheets                                 | 117            | Universal Pack, super+          | 25         |
| Arthroscopy Packs  | 44-45, 86-87       | Foot Covers                                | 35, 100        | Rectal Shield                                     | 61             | Universal Packs                 | 24-25      |
| Arthroscopy Pack with Fluid Collection Pouch             | 44                 | GYN Drape/Pack                             | 64             | Rectum Drape/Pack                                 | 27             | Universal Urology Drape         | 57         |
| Baby Sheet   | 67                 | GYN/LAP Drapes/Pack                        | 68             | Rectum Drape with Leggings                        | 27             | Urology Drapes                  | 56-57      |
| Back Table Covers  | 21                 | GYN/URO Leggings                           | 100            | Safety Eyewear uvex, autoclavable                 | 116            | Urology Packs                   | 58         |
| Bypass Packs   | 33                 | GYN-TVT Drape with leggings                | 57, 64         | Scrub Suits                                       | 114            | Variable Aperture Drapes        | 14, 95     |
| Camera Tube Covers                                       | 51, 101            | Hand Surgery Drapes                        | 47, 87         | Shoulder Drape/Pack "Beach Chair"                 | 46             | Varicose Vein Drape             | 35         |
| Cardio/Angiography Drapes                                | 34                 | Hand/Foot Drapes/Pack                      | 48, 88         | Shoulder Split Sheet Packs                        | 46, 85         | Velcro Strip                    | 51, 99     |
| Cardio/Thoracic Drapes                                   | 32                 | Hip Drape/Pack                             | 49             | Sleeve Protectors                                 | 100            | Vertical Isolation Drapes/Packs | 50         |
| Cardiovascular/Bypass Pack                               | 33                 | Hybrid Drapes                              | 34             | Split Sheet Packs                                 | 29, 40, 85, 95 | Visitor Gown                    | 115        |
| Craniotomy Pack  | 72                 | Image Intensifier Covers and Packs         | 52, 101        | Split Sheet with film side strips                 | 20             | Waste Treatment Sacks           | 116        |
| C-Section Drapes   | 66-67              | Incision Film                              | 99             | Split Sheet with leggings                         | 59             | X-Ray Cassette Cover            | 102        |
| C-Section Pack, standard                                 | 66                 | Laminectomy Drapes/Pack                    | 73             | Split Sheet with rectal fenestration and leggings | 59             |                                 |            |
| CYST Drape   | 60, 68             | Lead Window Cover                          | 103            | Split Sheet, bilateral                            | 19             |                                 |            |
| CYST Pack  | 60, 69, 90         | Leggings                                   | 61, 69, 90     | Split Sheet, paediatric                           | 81             |                                 |            |
| DaVinci Drape, T-Form                                    | 59                 | Mayo Stand Covers                          | 21             | Split Sheets                                      | 19-20, 40      |                                 |            |
| Diathermy Pouches  | 94, 98             | MIS Drapes/Pack                            | 26             | Split Aperture Drape                              | 20, 61         |                                 |            |
| Dual Extremity Drape                                     | 48                 | Neurosurgery Drapes                        | 72             | Standcover for bowl                               | 105            |                                 |            |
| Elastic Inlets, non-steril                               | 52, 105            | Non-Woven Jackets                          | 114            | Stockinettes                                      | 53, 94, 100    |                                 |            |
| ENT Drapes   | 74                 | OR Gowns, standard/reinforced              | 108-111        | Stool Covers                                      | 53, 77, 102    |                                 |            |
| Epidural Drapes  | 15, 16             | OR Plain Drapes, rolled                    | 104            | Strumectomy Packs                                 | 28             |                                 |            |
| Equipment Covers   | 103                | OR-table Sheet                             | 116            | Surgical Suture Bag                               | 104            |                                 |            |
|  |                    | OR Tapes                                   | 53, 74, 94, 99 | Tie Gowns   | 77             |                                 |            |





[www.setto.it](http://www.setto.it)